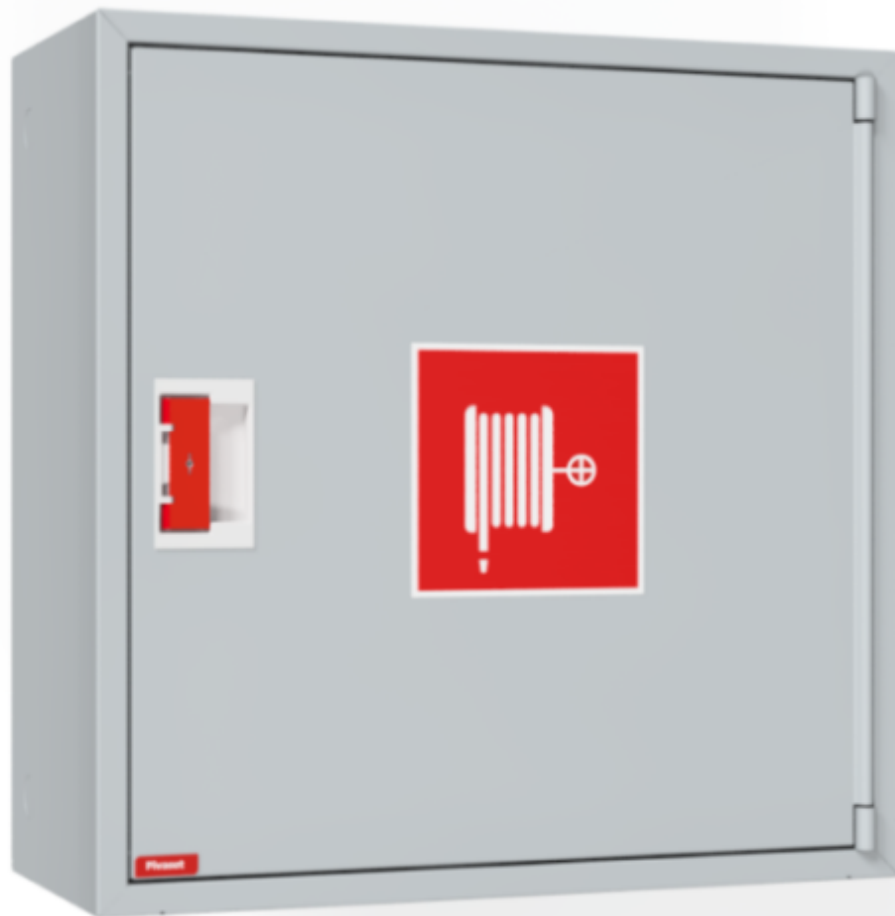


PV-10 19mm/30m, grey * - Fire hydrant cabinet



PV-10 19mm/30m, grey * - Fire hydrant cabinet

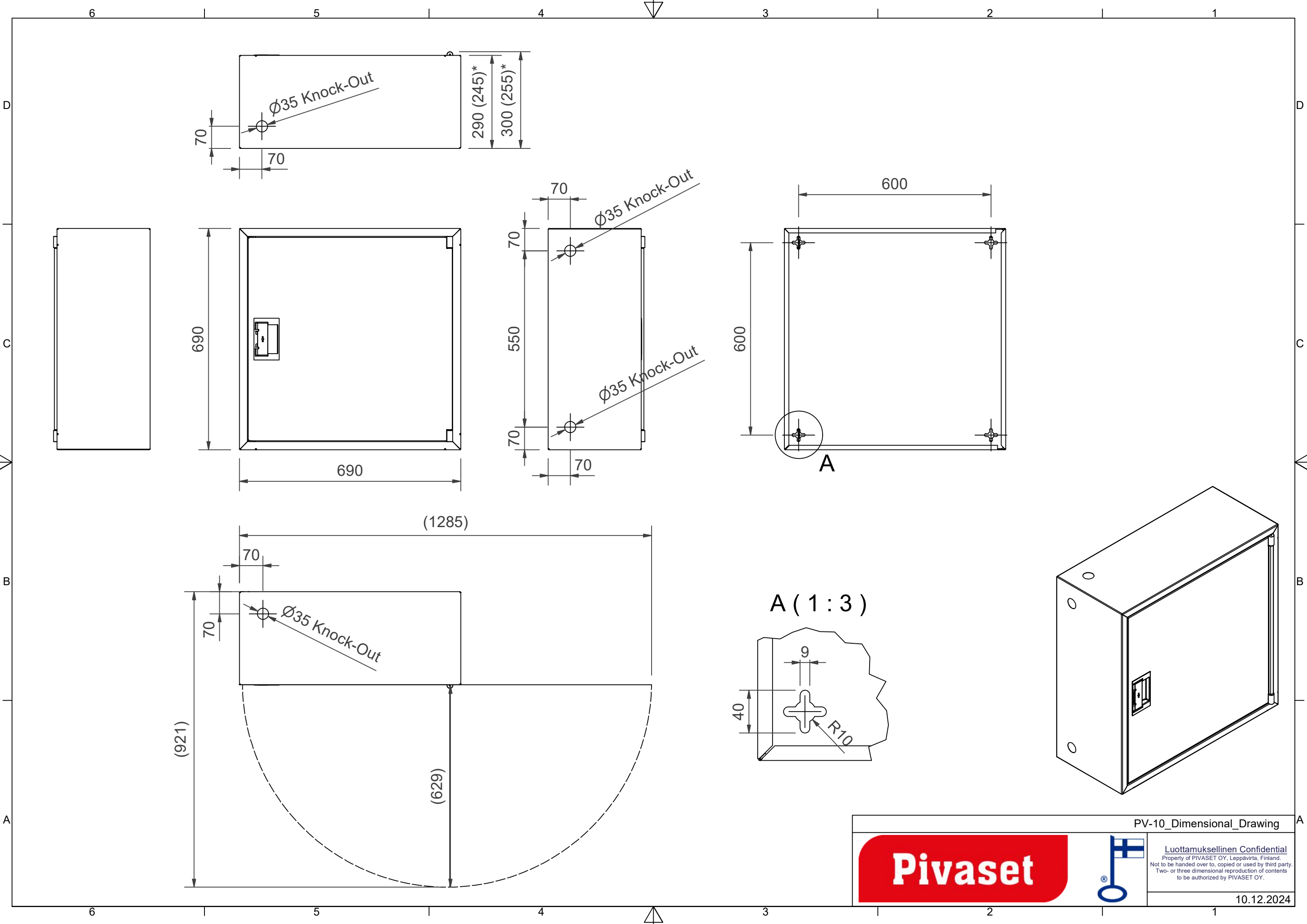


Fire hydrant cabinet approved according to EN 671-1:2012, featuring a fire hydrant hose reel inside. Designed for indoor installation either as a surface-mounted unit or partially recessed to a preferred depth using a separate flush-mounting frame. Our fire hydrants are produced in Finland in accordance with standard EN 671-1:2012. Pivaset's basic model fire hydrant cabinets and hose reels, up to 30 meters, are CE-marked. These cabinets and reels are made of epoxy powder-coated steel sheeting, 1.25 mm thick for the fire hydrant cabinets and 1 mm thick for the hose reels. The reels are consistently painted red. Cabinets are available in three standard colors: white, grey, and red, with other colors available by special order. All cabinets feature a welded structural back wall and reinforced doors with adjustable steel hinges. The door is equipped with a special lock including a breakable lock protector. Doors open 180 degrees to allow free functioning of a hose reel installed on the door. The reel hubs are specially brass-molded and tested. Fire hydrant hoses comply with standard EN 694 and feature lightweight polyester weave reinforcement. The lightweight hoses operate at 1.2 MPa with a burst pressure of 9 MPa (+20C). Alternatively, fire hydrant cabinets can be equipped with a nitrile/PVC hose operating at 1.2 MPa with a burst pressure of 4 MPa (+20C). (Please refer to the product stats to confirm the assembled hose). While lightweight, the hose is not recommended for continuous use in cleaning heavily worn floor surfaces. A hose/nozzle holder prevents the hose from getting caught between the door. All cabinet models come with a spring-reinforced feed hose and include a direct/fog nozzle and 1 shut-off valve for fire hydrant cabinets.

Features

Finnish "Ivi-number"	2953306
EN 671-1 / 2012 approved	YES
Hose type	Light hose
Color	Grey (RAL 7040)
Length of the hose	30
Hose inner diameter	19mm (3/4")
Height (mm)	690
Width (mm)	690

Depth (mm)	290
------------	-----



PV-10_Dimensional_Drawing



Luottamuksellinen Confidential
 Property of PIVASET OY, Leppävirta, Finland.
 Not to be handed over to, copied or used by third party.
 Two- or three dimensional reproduction of contents
 to be authorized by PIVASET OY.

10.12.2024