

**PV-212EL heat-insulated, heater, white - Fire hydrant cabinet**

---



**PV-212EL heat-insulated, heater, white - Fire hydrant cabinet**

---

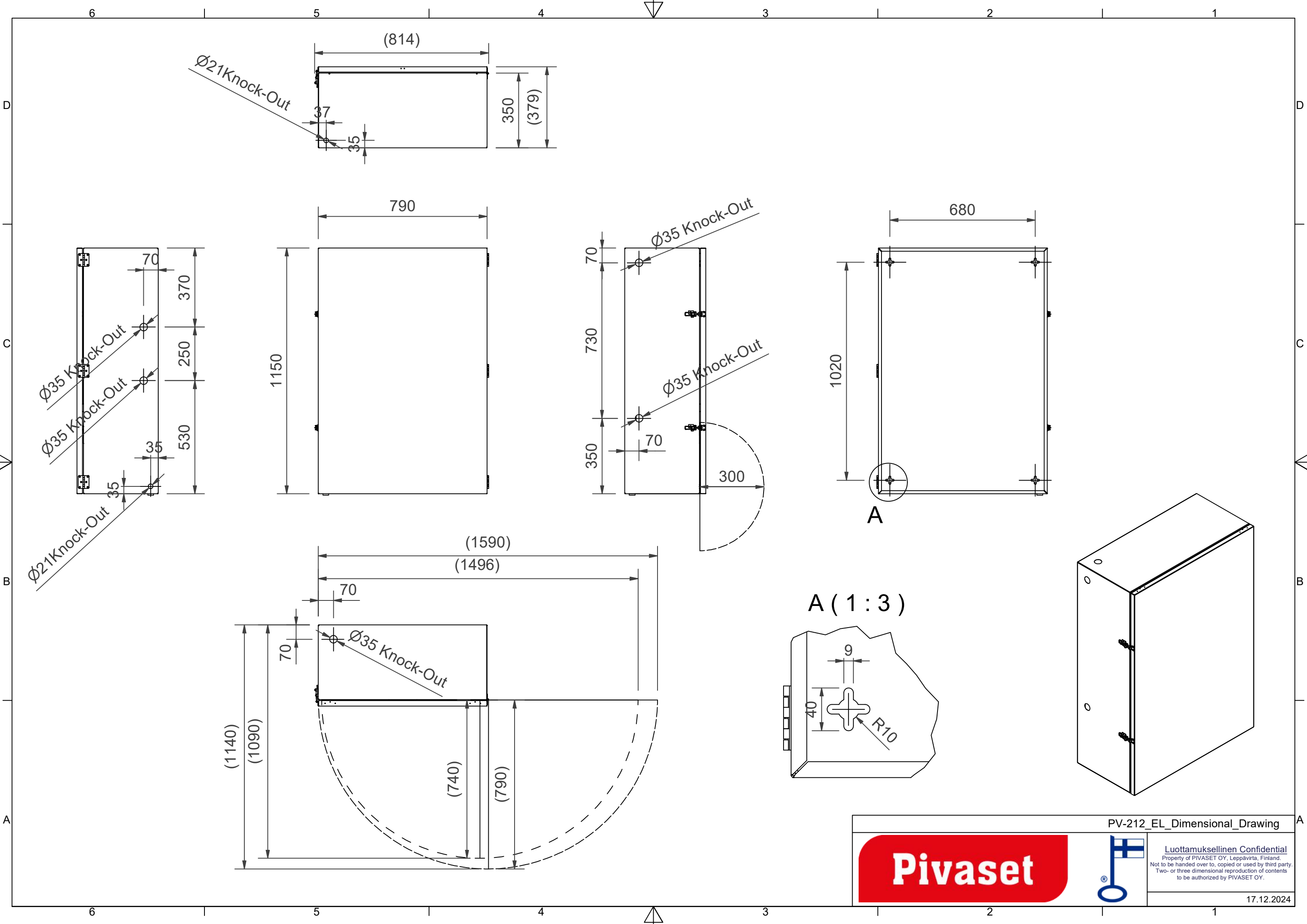


Price without hose and nozzle. Maximum hose sizes with PVC hose 19 mm / 45 m or 25 mm / 30 m, with lightweight hose 19 mm / 50 m or 25 mm / 35 m. The CE-marked (EN 671-1:2012) fire hydrant reel is always red, and the maximum length of the hose is 30 metres.

**Features**

---

|                          |                   |
|--------------------------|-------------------|
| EN 671-1 / 2012 approved | YES               |
| Color                    | White (RAL 9016)) |
| Height (mm)              | 1150              |
| Width (mm)               | 790               |
| Depth (mm)               | 365               |
| Heat insulated           | YES               |



PV-212\_EL\_Dimensional\_Drawing



Luottamuksellinen Confidential  
 Property of PIVASET OY, Leppävirta, Finland.  
 Not to be handed over to, copied or used by third party.  
 Two- or three dimensional reproduction of contents  
 to be authorized by PIVASET OY.

17.12.2024