

PV-112TRR w/o hose assembly, SST - Stainless steel fire hydrant cabinet



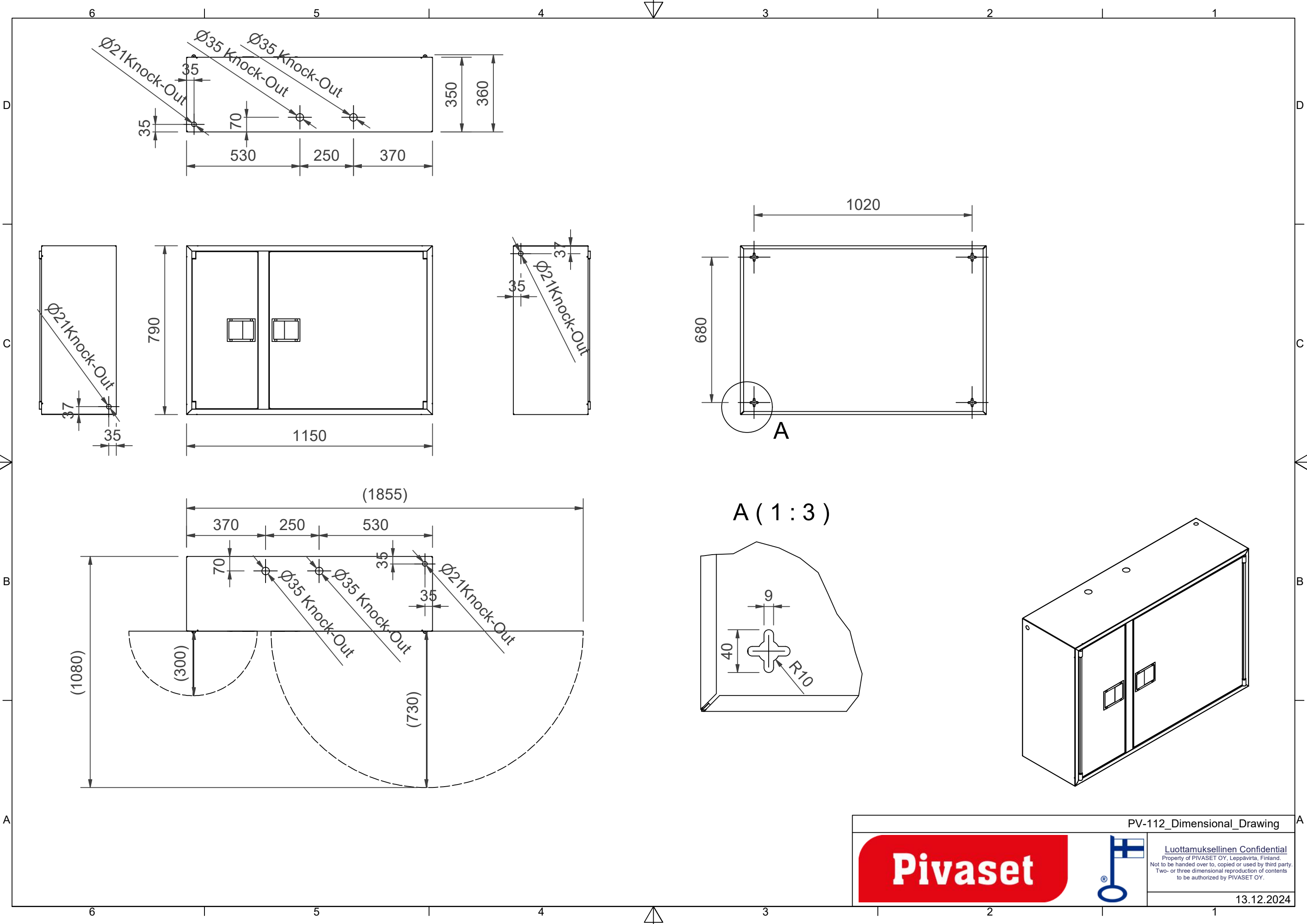
PV-112TRR w/o hose assembly, SST - Stainless steel fire hydrant cabinet



Spacious industrial-grade cabinets endure continuous heavy use. Sturdy doors feature durable stainless steel locks. These models include an industrial-grade hose reel with a foldable rewind handle and a brass curve rising from the reel's center to its circumference. Price excludes hose and spray nozzle. Choose hose combination below. Maximum 19mm/50m or 25mm/40m. NOTE! CE-marked EN-671 approved rapid fire hydrant maximum hose length is 30m.

Features

EN 671-1 / 2012 approved	YES
Color	Red (RAL 3020)
Height (mm)	790
Width (mm)	1150
Depth (mm)	350



PV-112_Dimensional_Drawing



Luottamuksellinen Confidential
 Property of PIVASET OY, Leppävirta, Finland.
 Not to be handed over to, copied or used by third party.
 Two- or three dimensional reproduction of contents
 to be authorized by PIVASET OY.

13.12.2024