

**PV-11T w/o hose assembly, white - Fire hydrant cabinet**

---



**PV-11T w/o hose assembly, white - Fire hydrant cabinet**

---

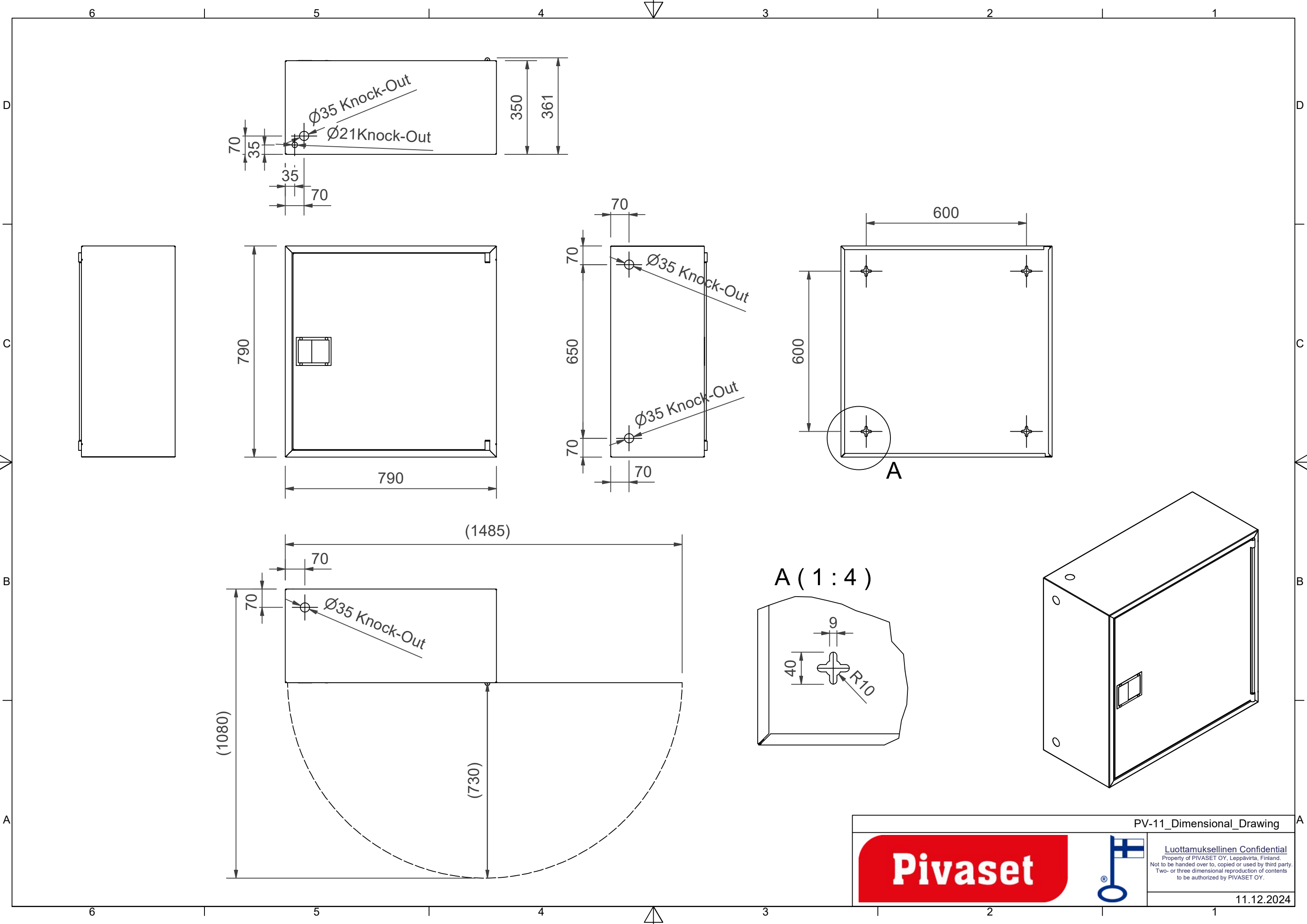


Spacious industrial-grade cabinets endure continuous heavy use. Sturdy doors feature durable stainless steel locks. These models include an industrial-grade hose reel with a foldable rewind handle and a brass curve rising from the reel's center to its circumference. Price excludes hose and spray nozzle. Choose hose combination below. Maximum 19mm/50m or 25mm/40m. NOTE! CE-marked EN-671 approved rapid fire hydrant maximum hose length is 30m.

**Features**

---

EN 671-1 / 2012 approved	YES
Color	White (RAL 9016))
Height (mm)	790
Width (mm)	790
Depth (mm)	350



PV-11\_Dimensional\_Drawing

Luottamuksellinen Confidential  
 Property of PIVASET OY, Leppävirta, Finland.  
 Not to be handed over to, copied or used by third party.  
 Two- or three dimensional reproduction of contents  
 to be authorized by PIVASET OY.

11.12.2024