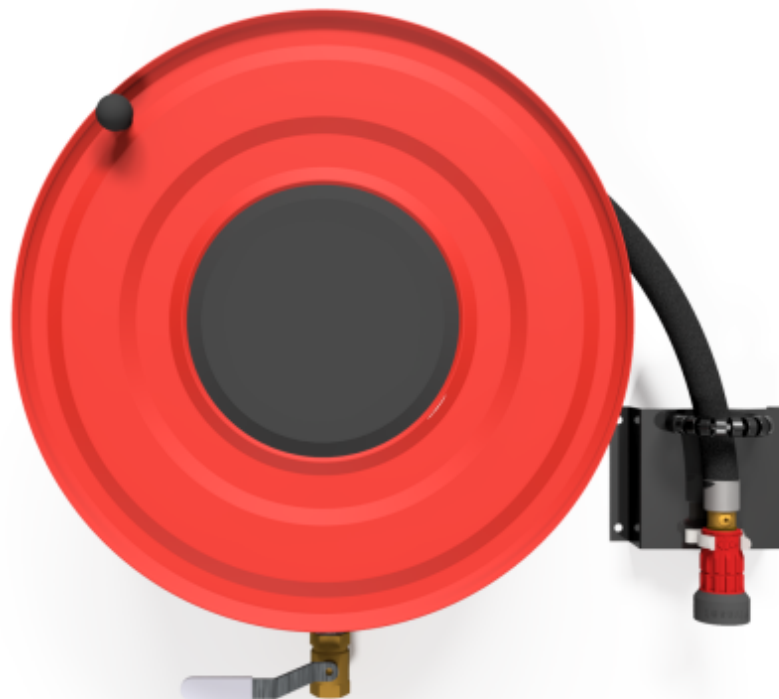


**PV-23 Reel 550/200 25mm/25m PVC - Fire hydrant reel**

---



**PV-23 Reel 550/200 25mm/25m PVC - Fire hydrant reel**

---



Hose reel designed for fire hydrants. For other usage, we recommend the industrial model. Includes fire hydrant hose and direct/ fog nozzle. Equipped with a wall mounting bracket, hose guide, 1 shut-off valve, connecting hose, and rewinding knob. The CE-marked (EN 671-1:2012) fire hydrant reel is always red, and the maximum length of the hose is 30 metres.

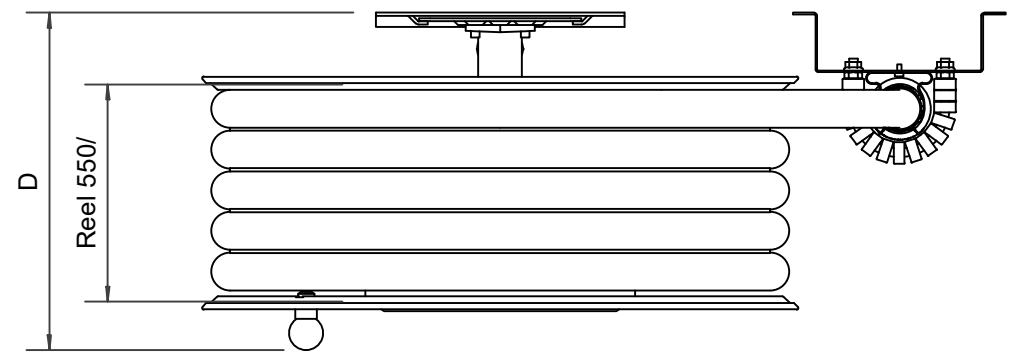
**Features**

---


EN 671-1 / 2012 approved	YES
Hose type	PVC
Length of the hose	25
Hose inner diameter	25mm (1")
Width (mm)	550
Depth (mm)	230




1" female thread



Dimension	
Reel	D
Reel 550/120	(235) mm
Reel 550/150	(265) mm
Reel 550/200	(315) mm





**PV-23\_Dimensional\_Drawing**

Luottamuksellinen Confidential  
Property of PIVASET OY, Leppävirta, Finland.  
Not to be handed over to, copied or used by third party.  
Two- or three dimensional reproduction of contents  
to be authorized by PIVASET OY.

11.12.2024