

PV-60 Reel 550/400 w/o hose assembly - Heavy duty hose reel

PV-60 Reel 550/400 w/o hose assembly - Heavy duty hose reel

These reels are versatile and designed to withstand tough conditions, making them suitable for various demanding applications where a robust water supply is needed. Heavy-duty water or washing reels find application in various settings:

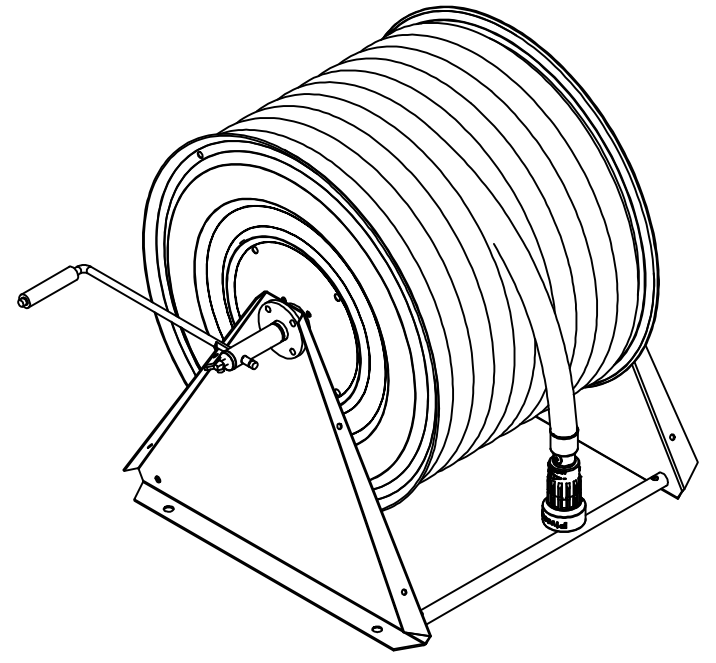
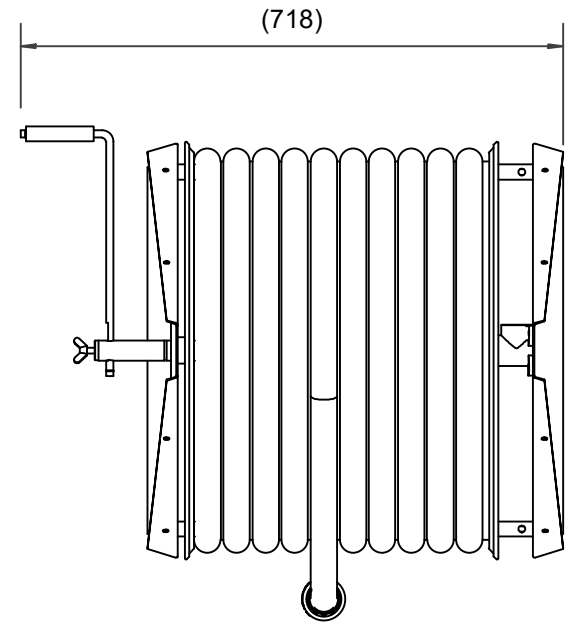
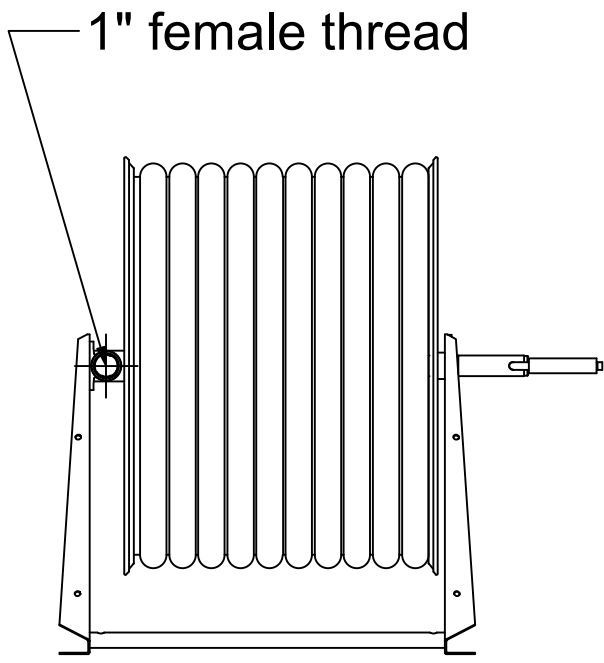
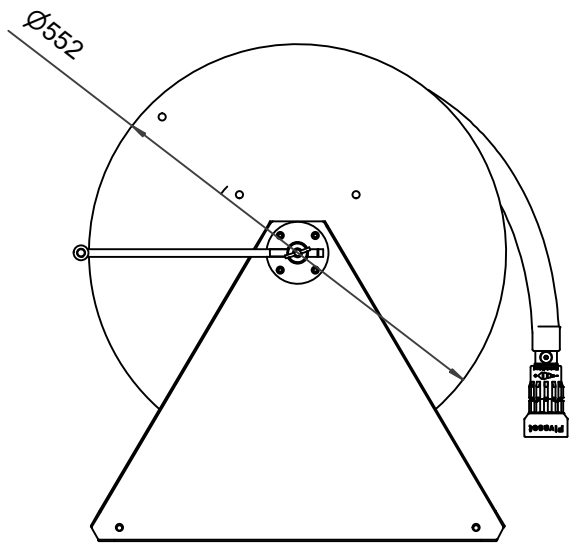
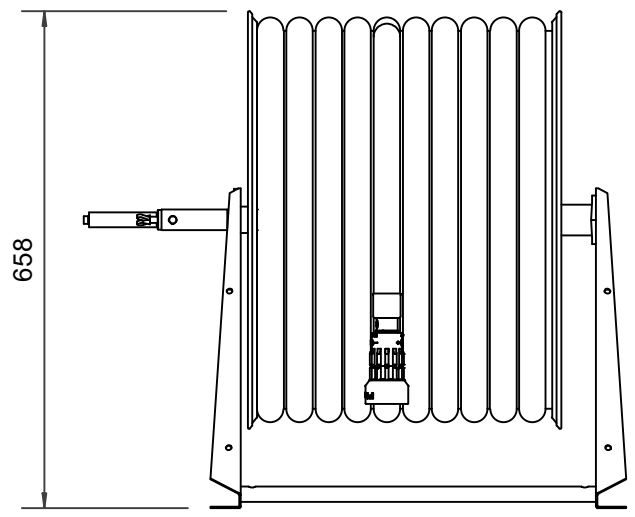
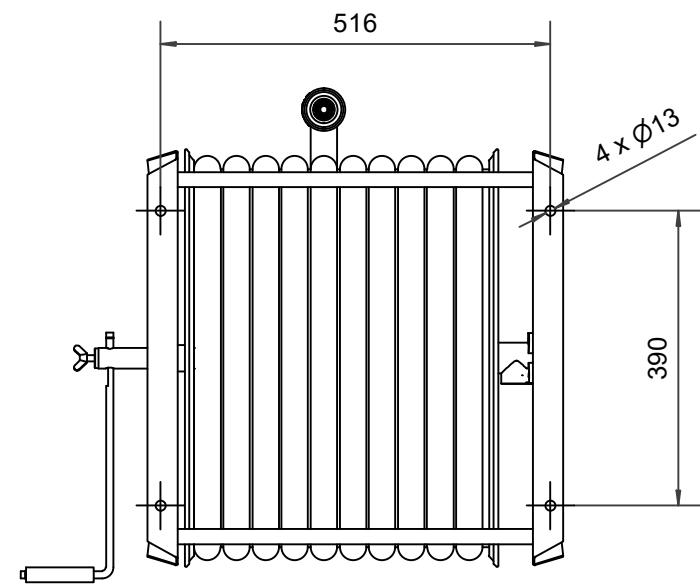
- 1. Industrial Facilities:** They are used in industrial settings for cleaning equipment, machinery, and workspaces. Heavy-duty reels can withstand harsh conditions and constant use in these environments.
- 2. Commercial Establishments:** Car washes, large-scale laundry facilities, and cleaning companies often utilize heavy-duty washing reels for efficient and continuous water supply during cleaning operations.
- 3. Agriculture:** Farms and agricultural settings employ heavy-duty water reels for irrigation purposes, crop spraying, and general cleaning tasks in barns or stables.
- 4. Construction Sites:** Heavy-duty reels are used on construction sites for tasks like cleaning equipment, wetting surfaces, and managing dust control.
- 5. Marine Environments:** On ships, boats, or docks, heavy-duty reels can provide water for cleaning decks, equipment, or even for firefighting purposes.
- 6. Municipalities:** Public spaces, parks, and municipal buildings use heavy-duty reels for maintenance and cleaning purposes.

Features

Finnish "Ivi-number"	2956300
EN 671-1 / 2012 approved	NO
Height (mm)	550
Width (mm)	550
Depth (mm)	600

6 5 4 3 2 1

D
C
B
A



D
C
B
A

6 5 4 3 2 1

PV-60_Dimensional_Drawing	
Luottamuksellinen Confidential Property of PIVASET OY, Leppävirta, Finland. Not to be handed over to, copied or used by third party. Two- or three dimensional reproduction of contents to be authorized by PIVASET OY.	
6.2.2025	