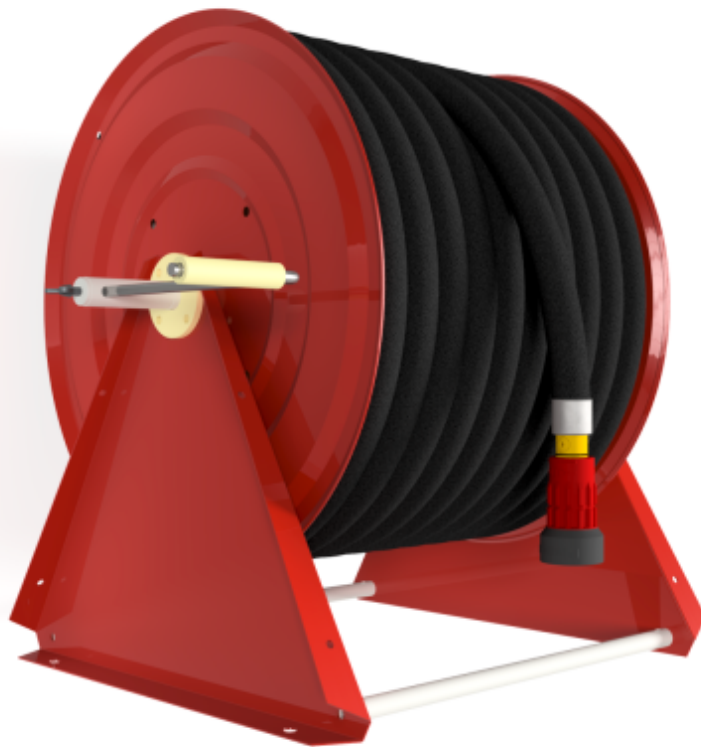


PV-60 Reel 550/400 19mm/50m - Heavy duty hose reel



PV-60 Reel 550/400 19mm/50m - Heavy duty hose reel



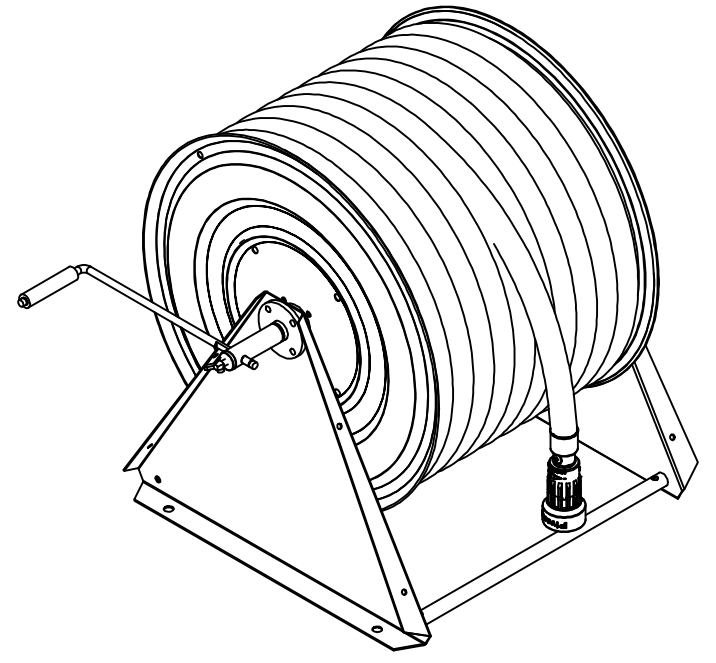
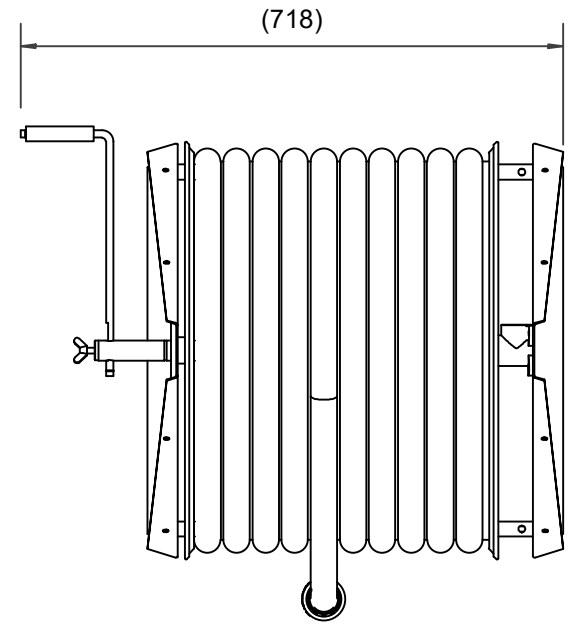
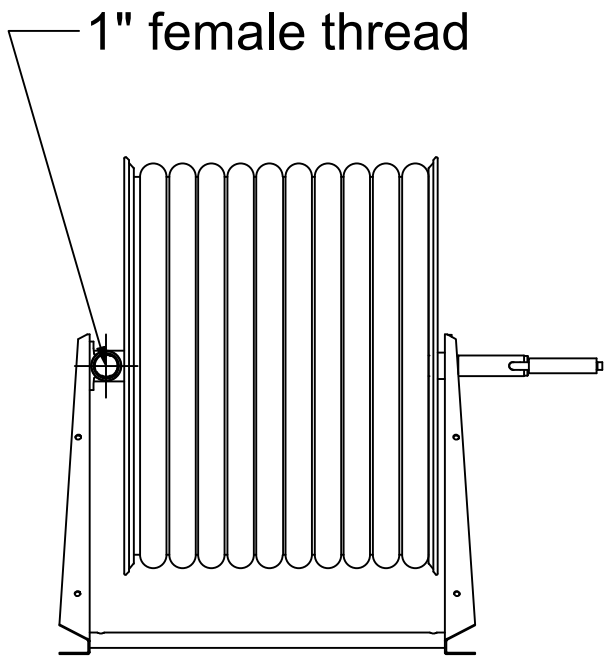
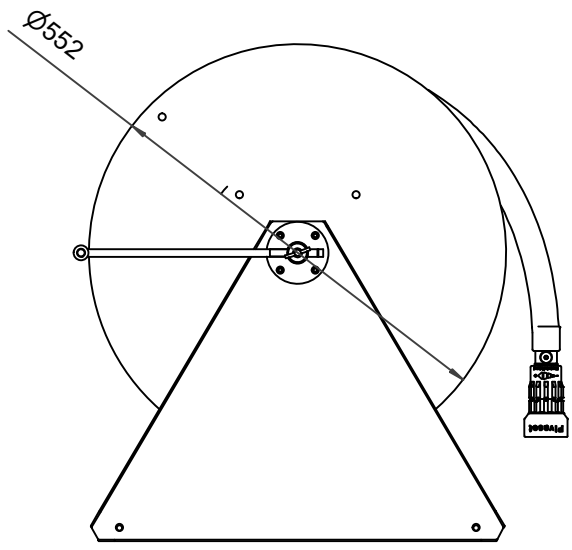
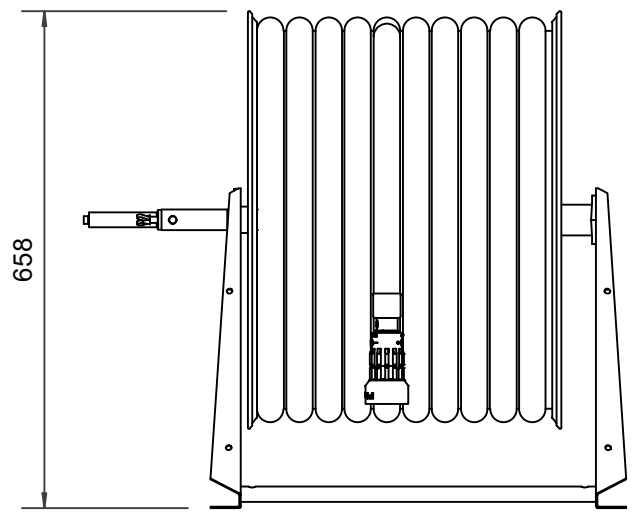
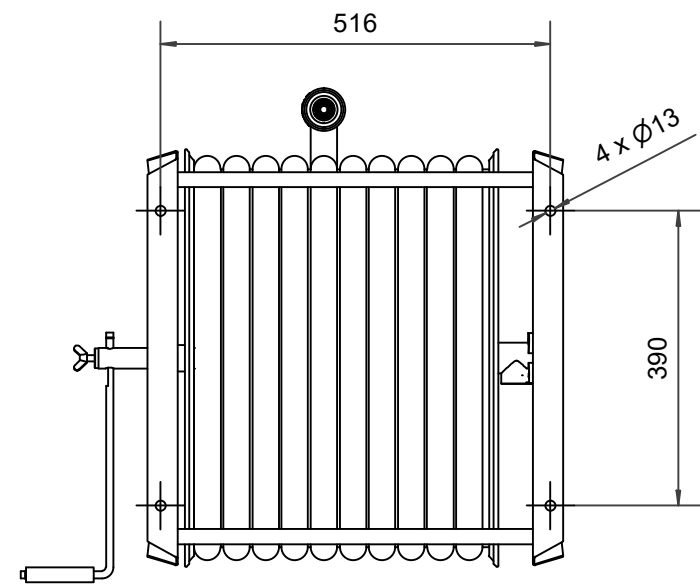
For wall or floor mounting. Includes fire hydrant hose, direct/fog nozzle, 1 shut-off valve and rewinding crank. Reel contains 1 inner thread for feed pipe

Features

EN 671-1 / 2012 approved	NO
Hose type	Light hose
Length of the hose	50
Hose inner diameter	19mm (3/4")
Height (mm)	550
Width (mm)	550
Depth (mm)	600

6 5 4 3 2 1

D
C
B
A



D
C
B
A

6 5 4 3 2 1

PV-60_Dimensional_Drawing	
<p>Luottamuksellinen Confidential Property of PIVASET OY, Leppävirta, Finland. Not to be handed over to, copied or used by third party. Two- or three dimensional reproduction of contents to be authorized by PIVASET OY.</p>	
6.2.2025	