

PV-25 Reel 550/200 hinged arm w/o hose assembly -

PV-25 Reel 550/200 hinged arm w/o hose assembly -

The reel is made of 1 mm, epoxy powder-coated steel sheeting. The reel hubs are special brass moulded and pressure tested. Fire hydrant hoses are lightweight, and they have a polyester weave reinforcement.

Fire Hose Reels: 1. Commercial Buildings: Installed in corridors or near fire exit points in buildings like offices, hotels, hospitals, and schools to provide immediate access to water in case of a fire emergency. 2. Industrial Facilities: Found in factories, warehouses, and manufacturing plants for quick access to firefighting equipment in case of fire outbreaks. 3. Residential Settings: Some homes, especially larger residences or those in areas with specific safety regulations, may have fire hose reels installed in strategic locations. 4. Washing Reels: 1. Commercial and Industrial Cleaning: Used in car washes, laundry facilities, industrial cleaning operations, and large-scale cleaning companies to provide a controlled water supply for cleaning tasks. 2. Agriculture: Employed in farms for irrigating fields, washing equipment, or cleaning barns and stables. 3. Construction Sites: Used for cleaning machinery, surfaces, and equipment on construction sites. 4. Marine Applications: On ships or docks, washing reels are used for cleaning decks, equipment, or providing water for various marine tasks. Both types of reels serve distinct purposes - fire hose reels are specifically for firefighting purposes in case of emergencies, while washing reels are for controlled water supply in cleaning and maintenance tasks across various industries.

Features

Finnish "lvi-number"	2956400
Height (mm)	671
Width (mm)	749
Depth (mm)	346

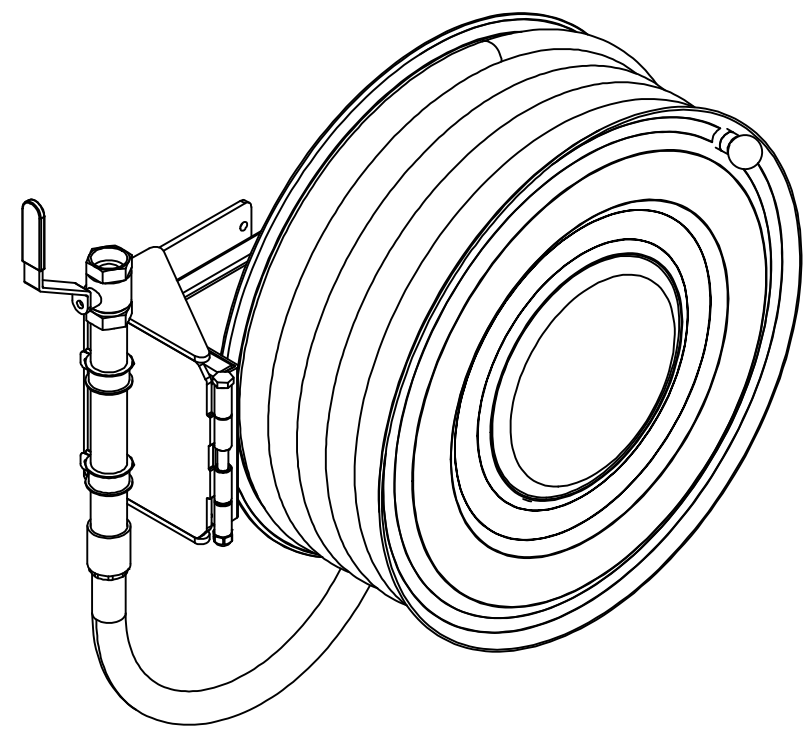
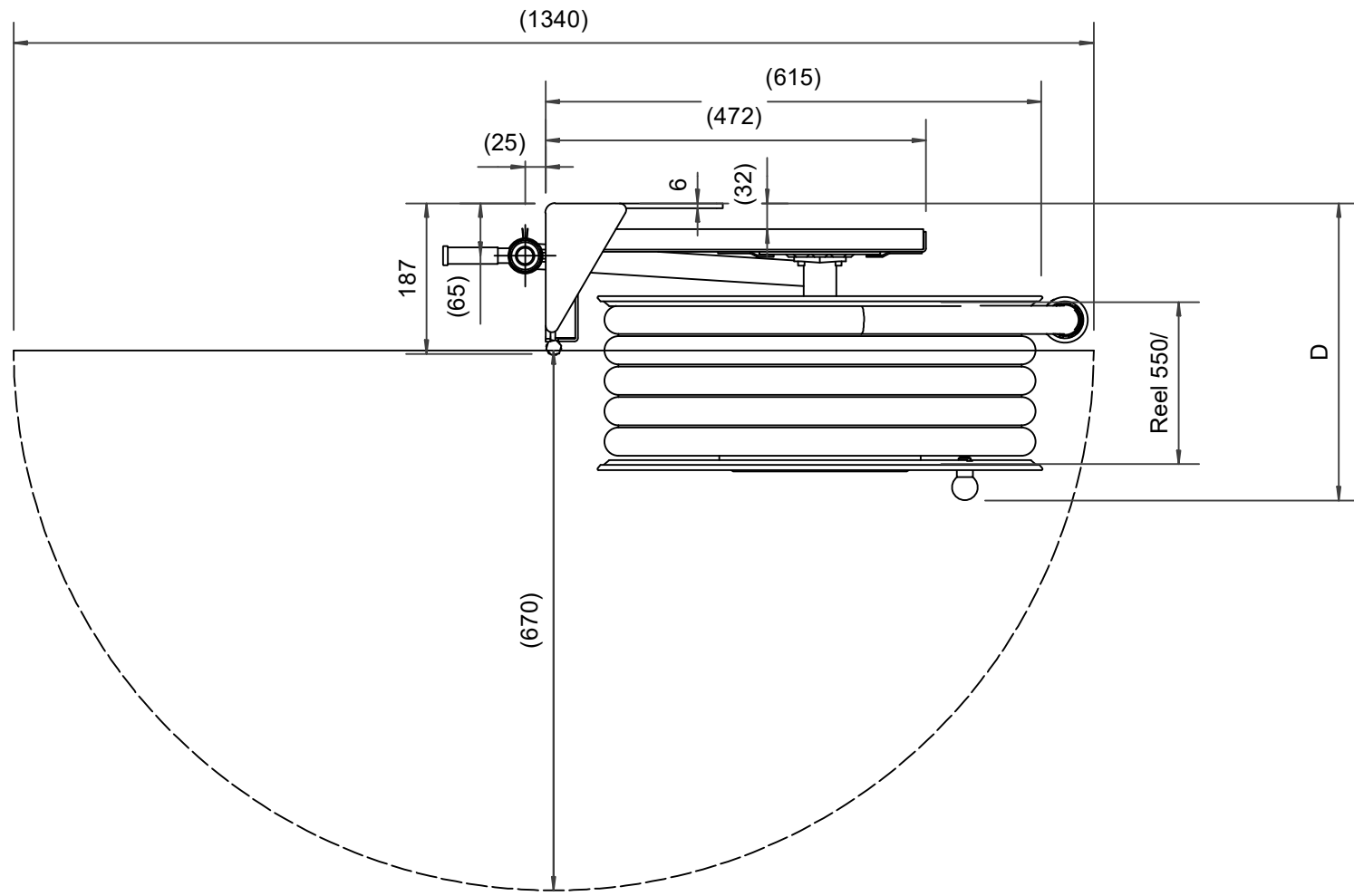
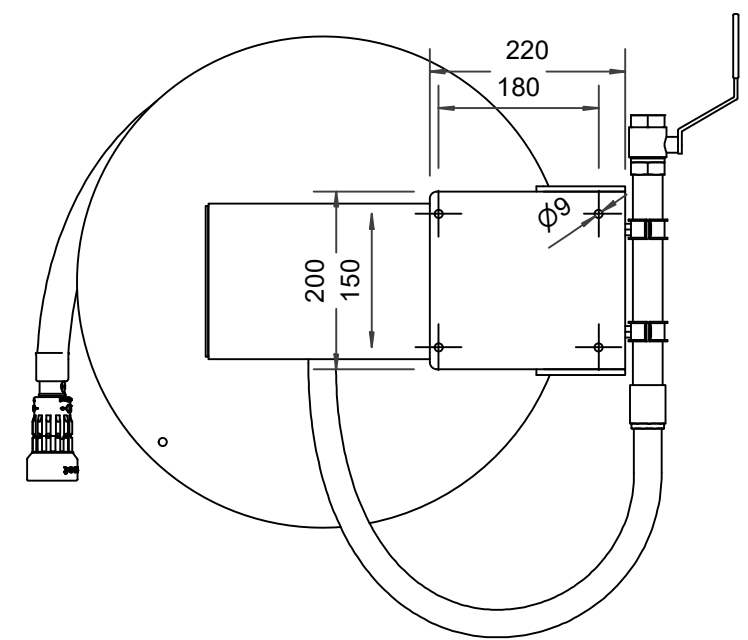
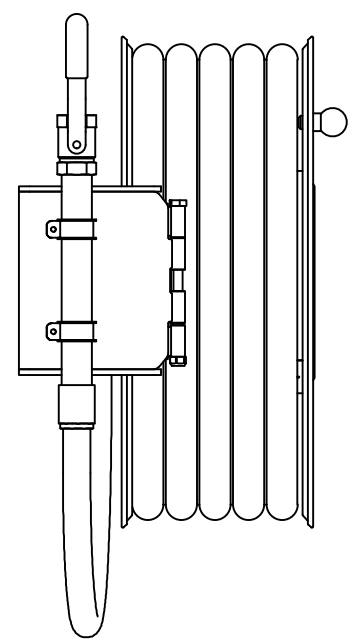
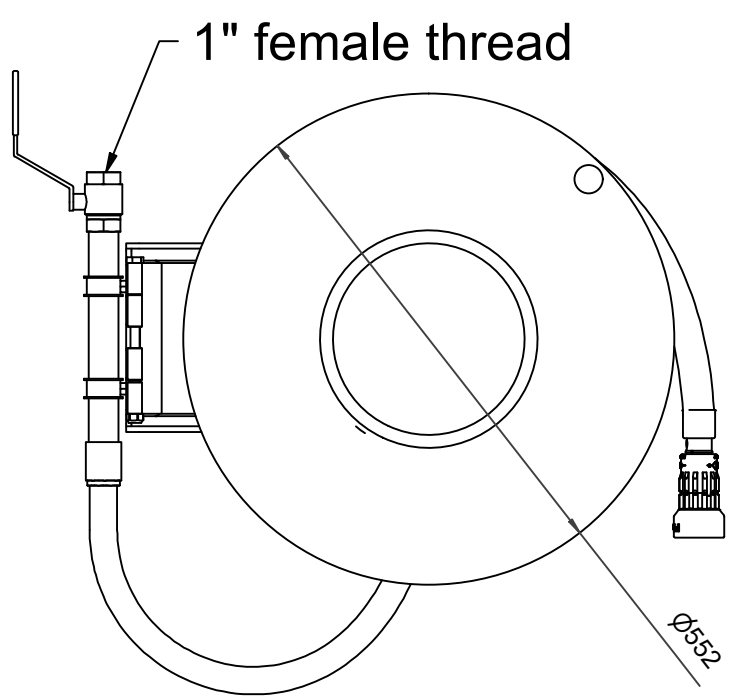
6 5 4 3 2 1

D

C

B

A



Dimension	
Reel	D
Reel 550/150	(320) mm
Reel 550/200	(370) mm

PV-25_Dimensional_Drawing

Luottamuksellinen Confidential
 Property of PIVASET OY, Leppävirta, Finland.
 Not to be handed over to, copied or used by third party.
 Two- or three dimensional reproduction of contents
 to be authorized by PIVASET OY.

19.12.2024

6 5 4 3 2 1