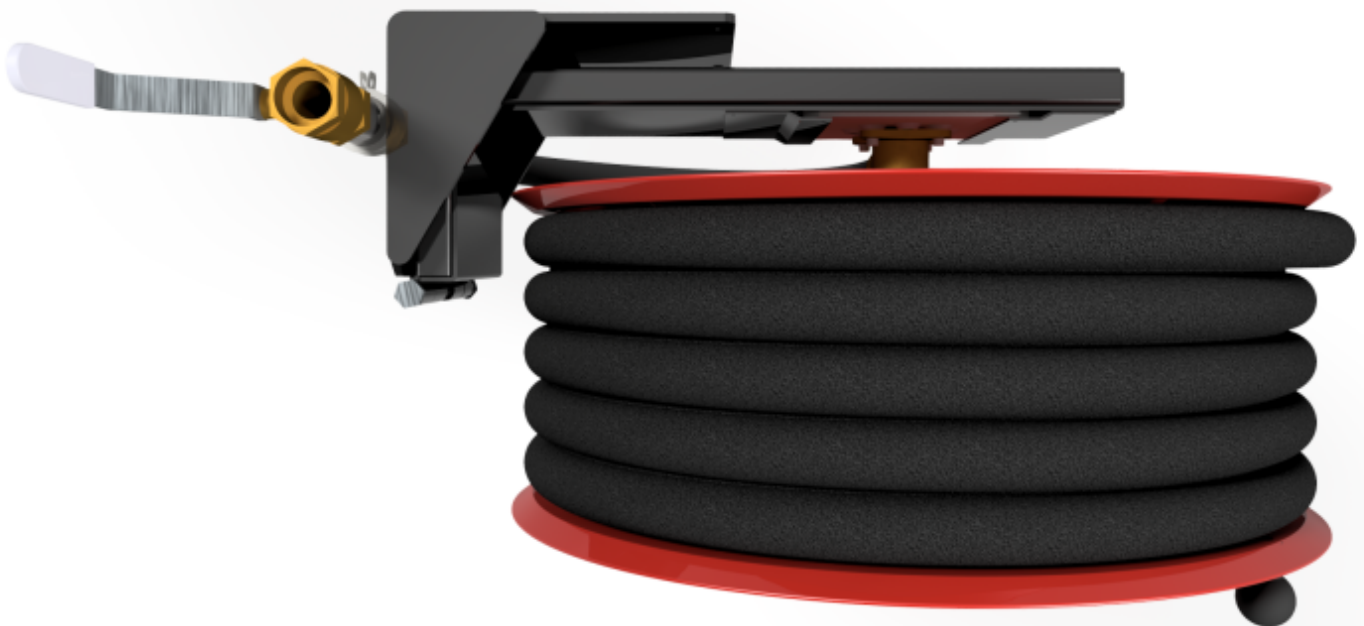


PV-25 Reel 550/200 25mm/25m, PVC, hinged arm - Fire hose reel



PV-25 Reel 550/200 25mm/25m, PVC, hinged arm - Fire hose reel



A hose reel designed for fire hydrants, equipped with a hinged arm for easy unravelling and rewinding of the hose (protrusion 750 mm). For other usage, we recommend the industrial model. Includes fire hydrant hose and direct/fog nozzle, 1 shut-off valve, connecting hose and rewinding knob. Hinged arm sold also separately. The CE-marked (EN 671-1:2012) fire hydrant reel is always red, and the maximum length of the hose is 30 metres.

Features

EN 671-1 / 2012 approved	YES
Hose type	PVC
Length of the hose	25
Hose inner diameter	25mm (1")
Height (mm)	671
Width (mm)	749
Depth (mm)	346

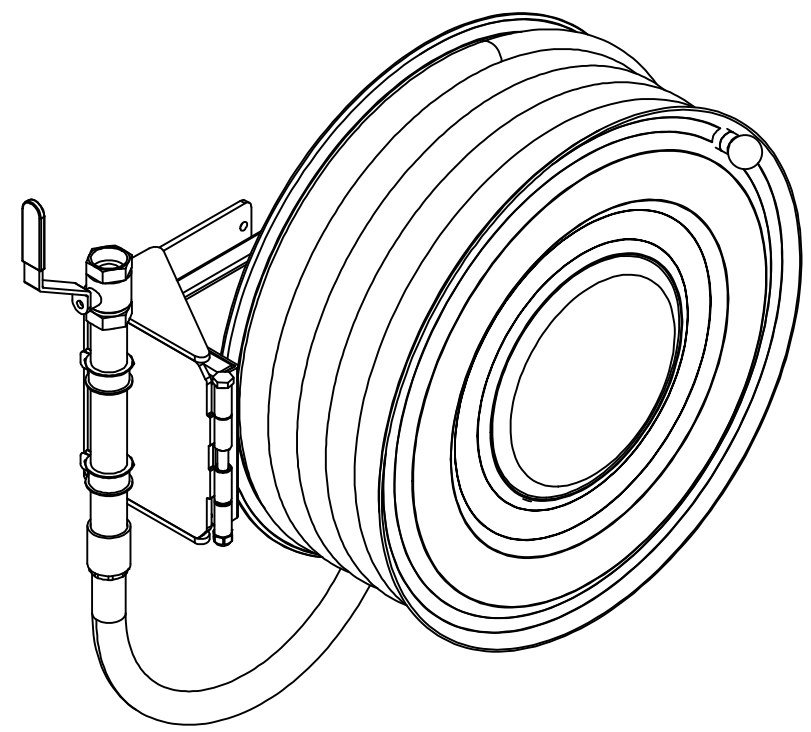
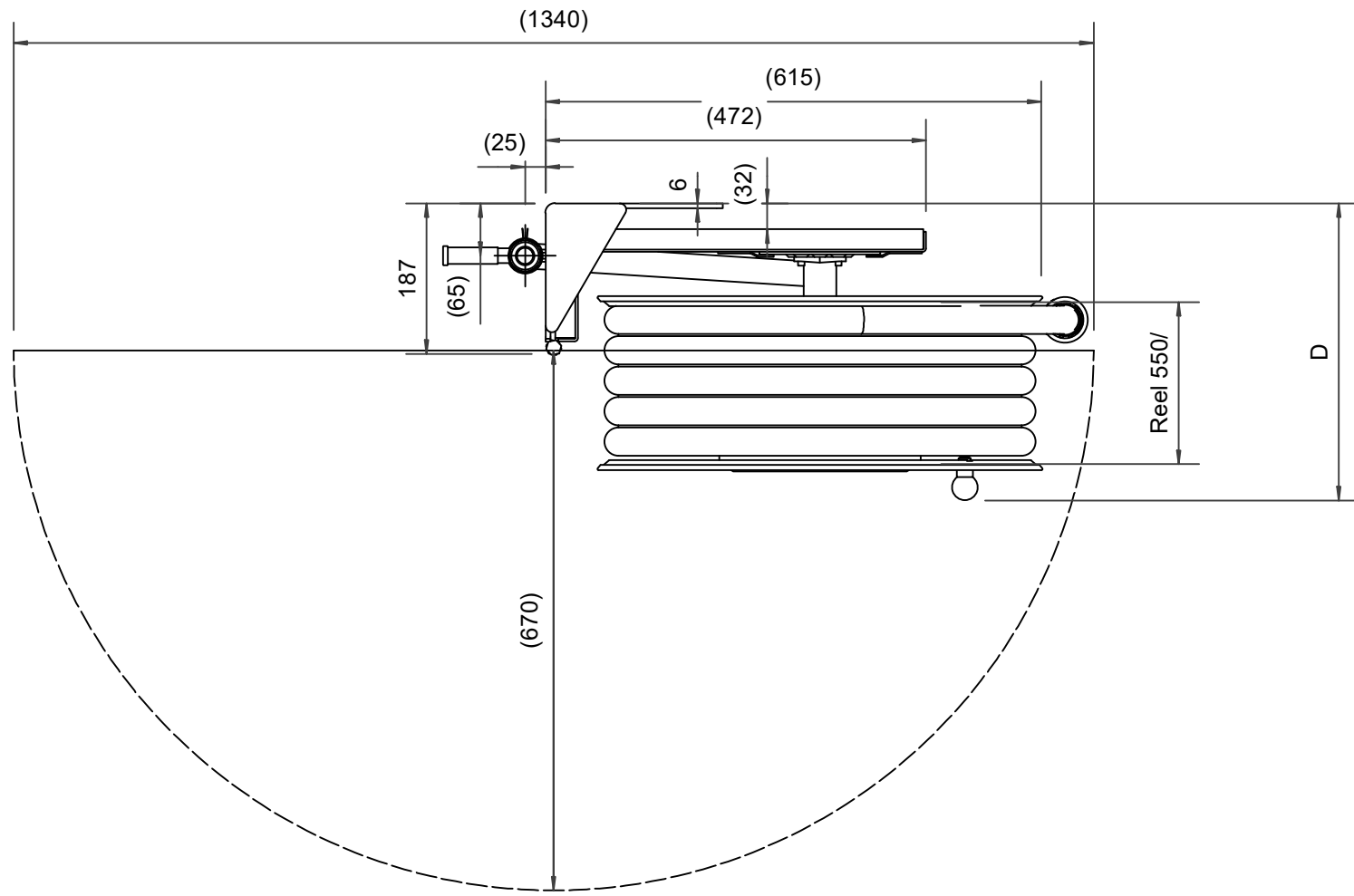
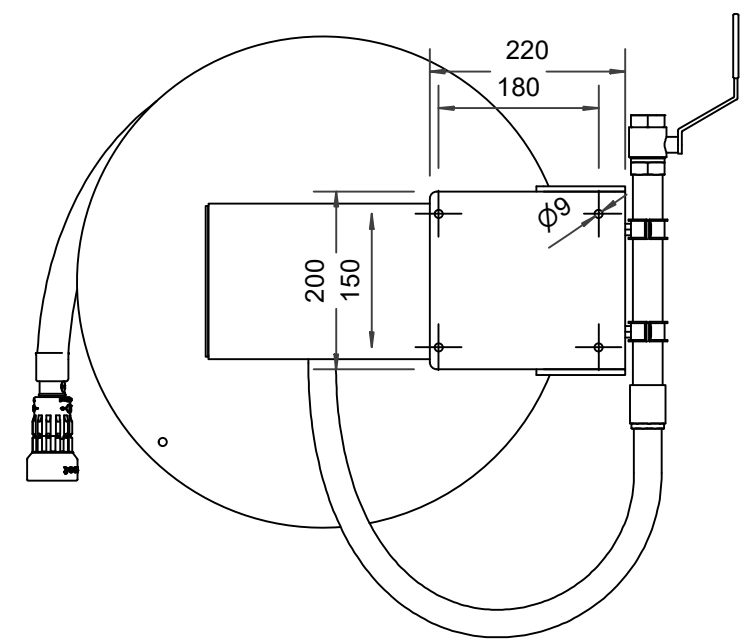
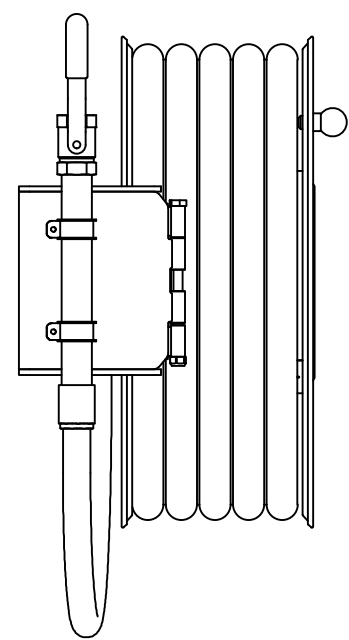
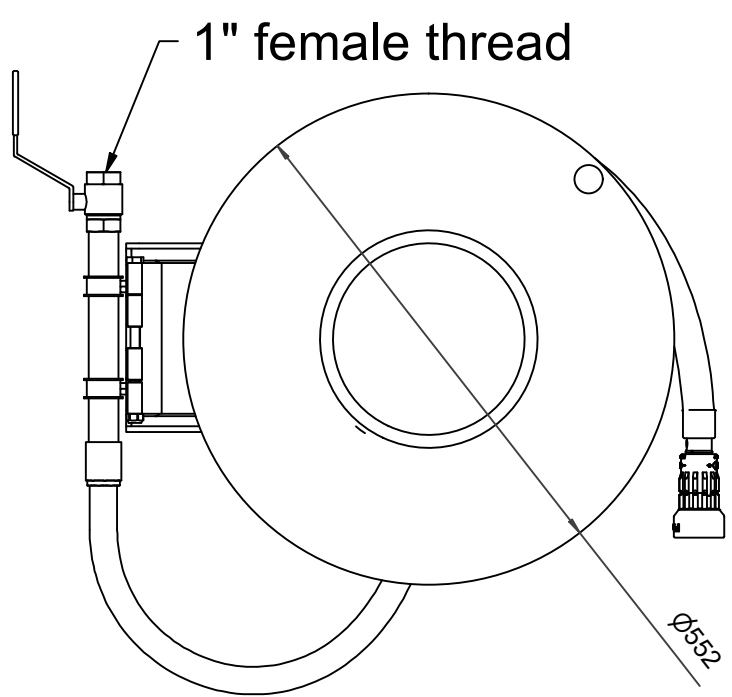
6 5 4 3 2 1

D

C

B

A



Dimension	
Reel	D
Reel 550/150	(320) mm
Reel 550/200	(370) mm





PV-25_Dimensional_Drawing

Luottamuksellinen Confidential
 Property of PIVASET OY, Leppävirta, Finland.
 Not to be handed over to, copied or used by third party.
 Two- or three dimensional reproduction of contents
 to be authorized by PIVASET OY.

19.12.2024

6 5 4 3 2 1