

## PV-22 MiniReel 390/150, white, 19mm/15m - Hose reel

---



**PV-22 MiniReel 390/150, white, 19mm/15m - Hose reel**

Very small steel-framed hose reel. Equipped with a wall mounting bracket, hose guide, 1 shut-off valve, connecting hose, and rewinding knob. Reel with 19 mm fire hydrant hose has a direct/fog nozzle, and reel with 16 mm watering hose has a watering pistol. Maximum hose sizes 12 mm/ 30 m, 16 mm / 25 m tai 19 mm / 20 m

**Features**

EN 671-1 / 2012 approved	YES
Hose type	Light hose
Lenght of the hose	15
Hose inner diameter	19mm (3/4")

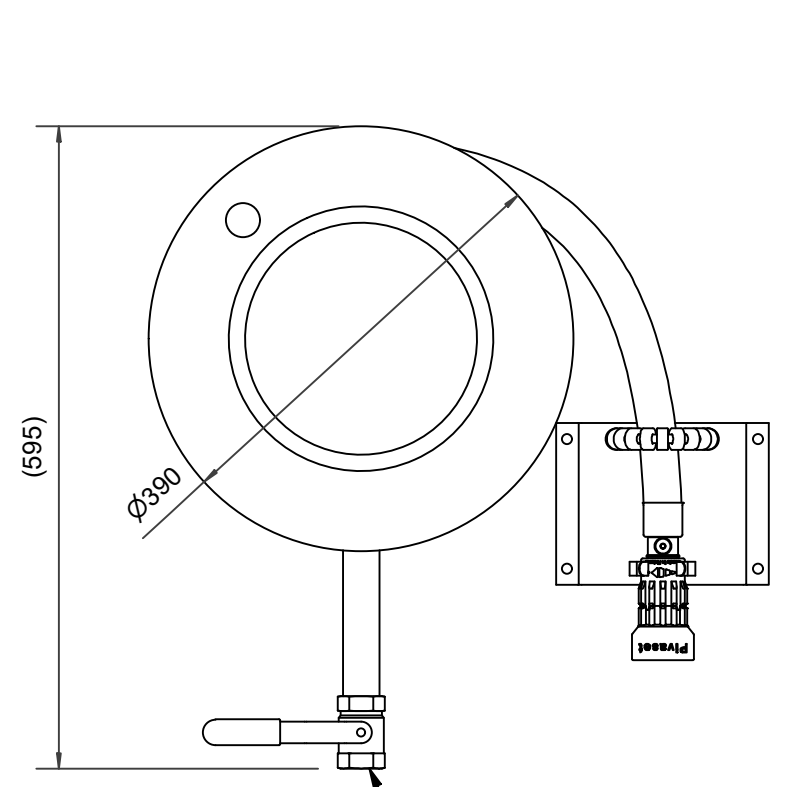
6 5 4 3 2 1

D

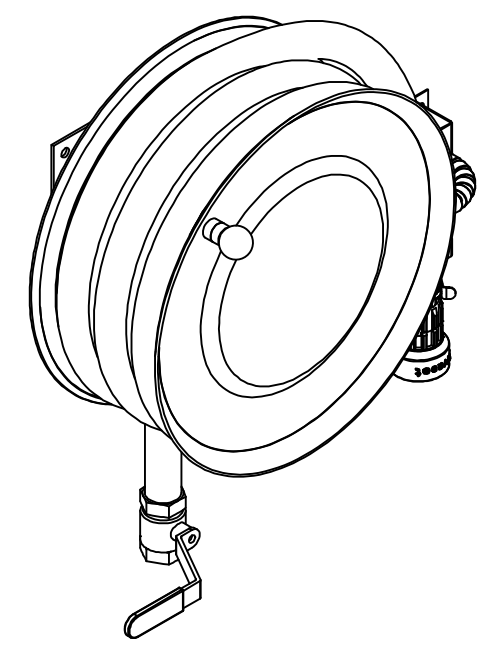
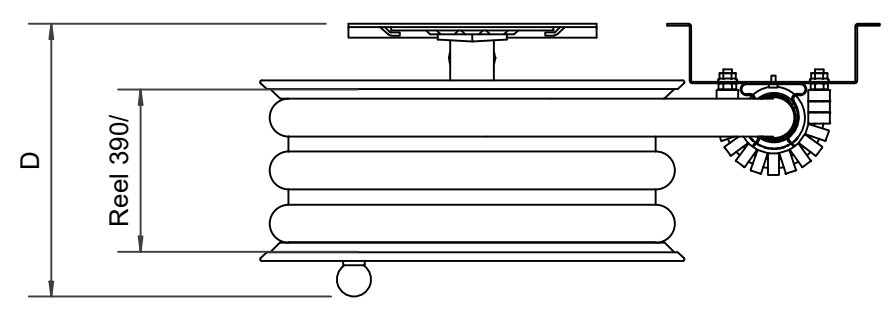
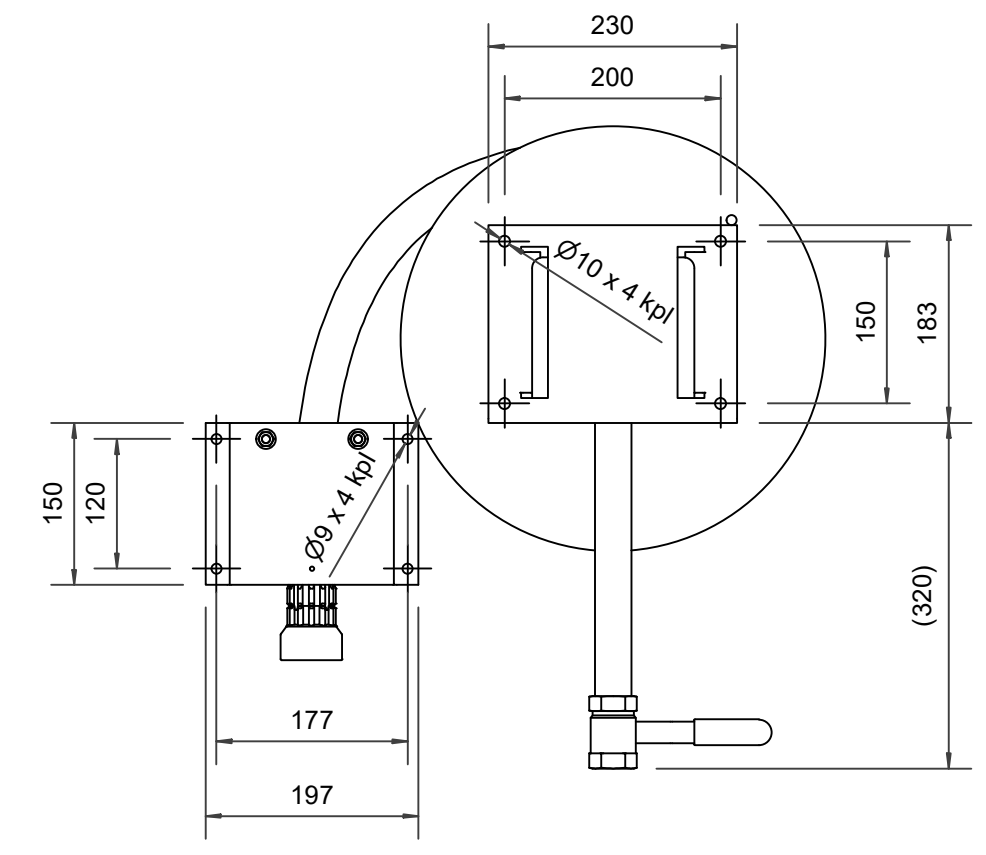
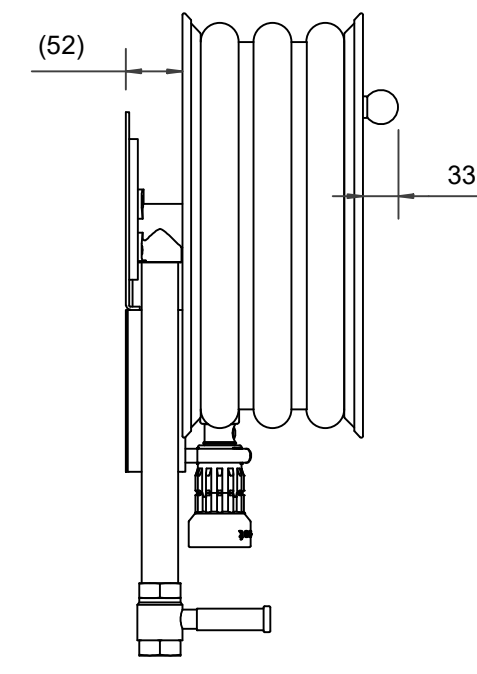
C

B


A




1" female thread



Dimension	
Reel	D
Reel 390/100	(205) mm
Reel 390/150	(255) mm





PV-22\_Dimensional\_Drawing

**Luottamuksellinen Confidential**  
 Property of PIVASET OY, Leppävirta, Finland.  
 Not to be handed over to, copied or used by third party.  
 Two- or three dimensional reproduction of contents  
 to be authorized by PIVASET OY.

16.12.2024

6 5 4 3 2 1