

## PV-22 MiniReel 390/150, white, 19mm/20m - Hose reel

---

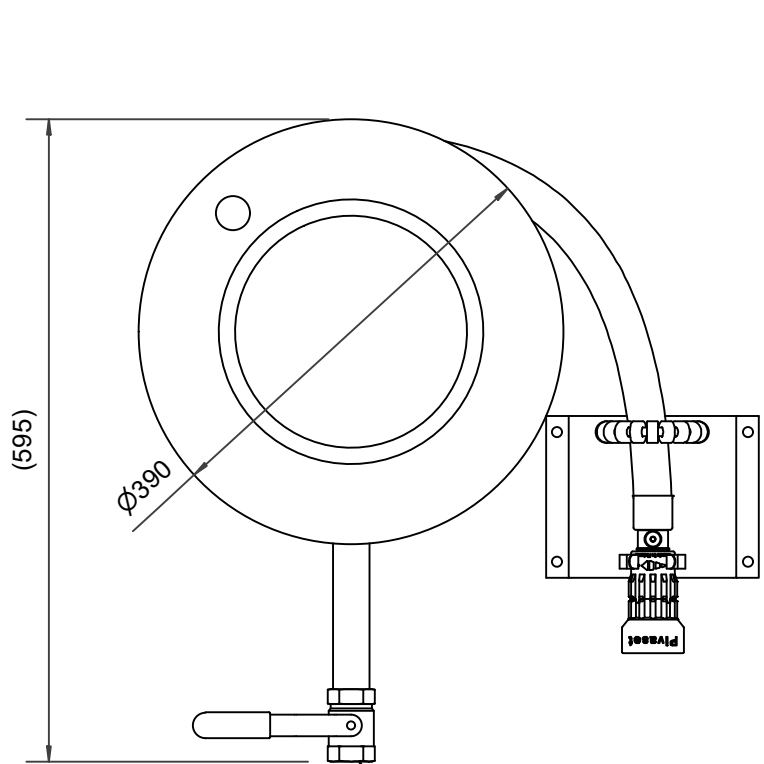


**PV-22 MiniReel 390/150, white, 19mm/20m - Hose reel**

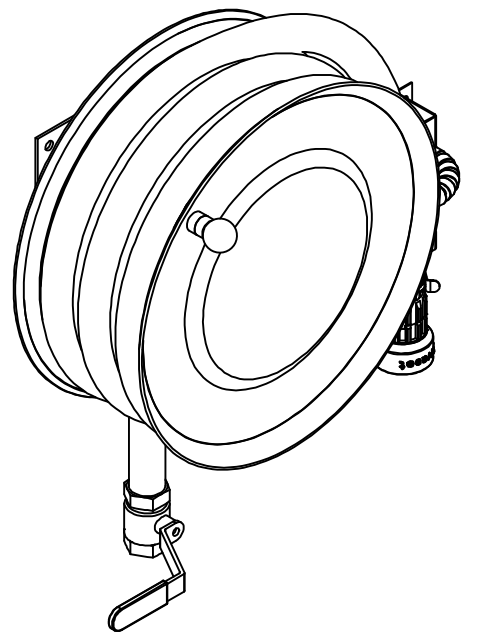
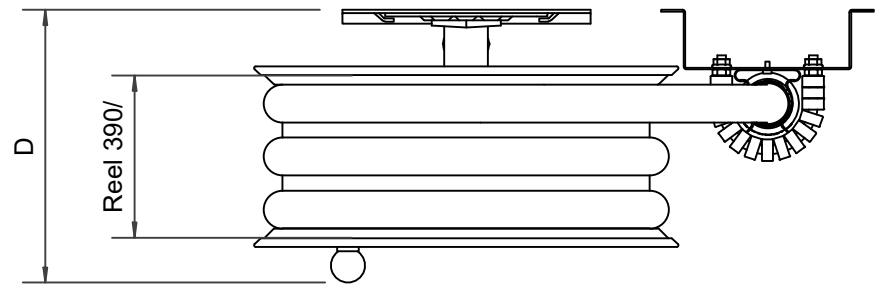
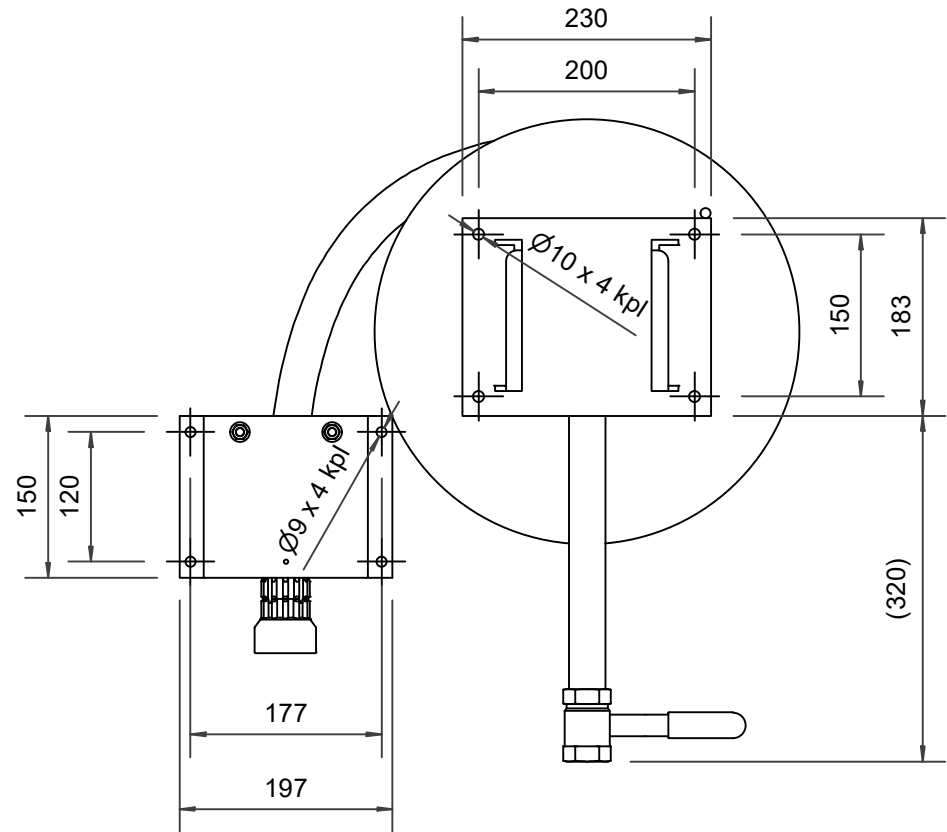
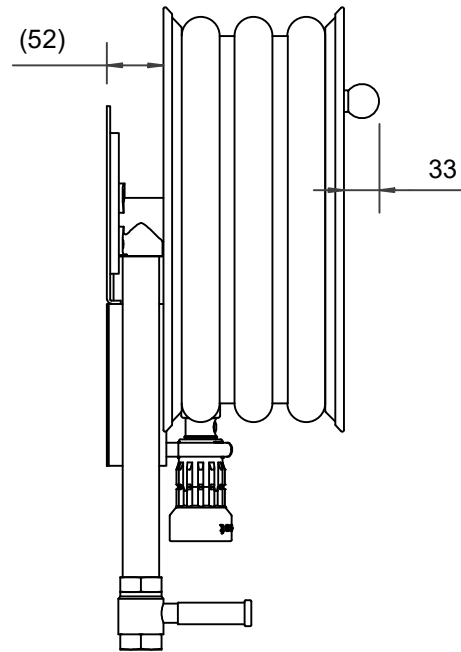
Very small steel-framed hose reel. Equipped with a wall mounting bracket, hose guide, 1 shut-off valve, connecting hose, and rewinding knob. Reel with 19 mm fire hydrant hose has a direct/fog nozzle, and reel with 16 mm watering hose has a watering pistol. Maximum hose sizes 12 mm/ 30 m, 16 mm / 25 m tai 19 mm / 20 m

**Features**

|                          |             |
|--------------------------|-------------|
| EN 671-1 / 2012 approved | YES         |
| Hose type                | Light hose  |
| Lenght of the hose       | 20          |
| Hose inner diameter      | 19mm (3/4") |



1" female thread



| Dimension    |          |
|--------------|----------|
| Reel         | D        |
| Reel 390/100 | (205) mm |
| Reel 390/150 | (255) mm |

PV-22\_Dimensional\_Drawing



Luottamuksellinen Confidential  
 Property of PIVASET OY, Leppävirta, Finland.  
 Not to be handed over to, copied or used by third party.  
 Two- or three dimensional reproduction of contents  
 to be authorized by PIVASET OY.

16.12.2024