

PV-25T Reel 550/200 w/o hose assembly - Hose reel + swing arm



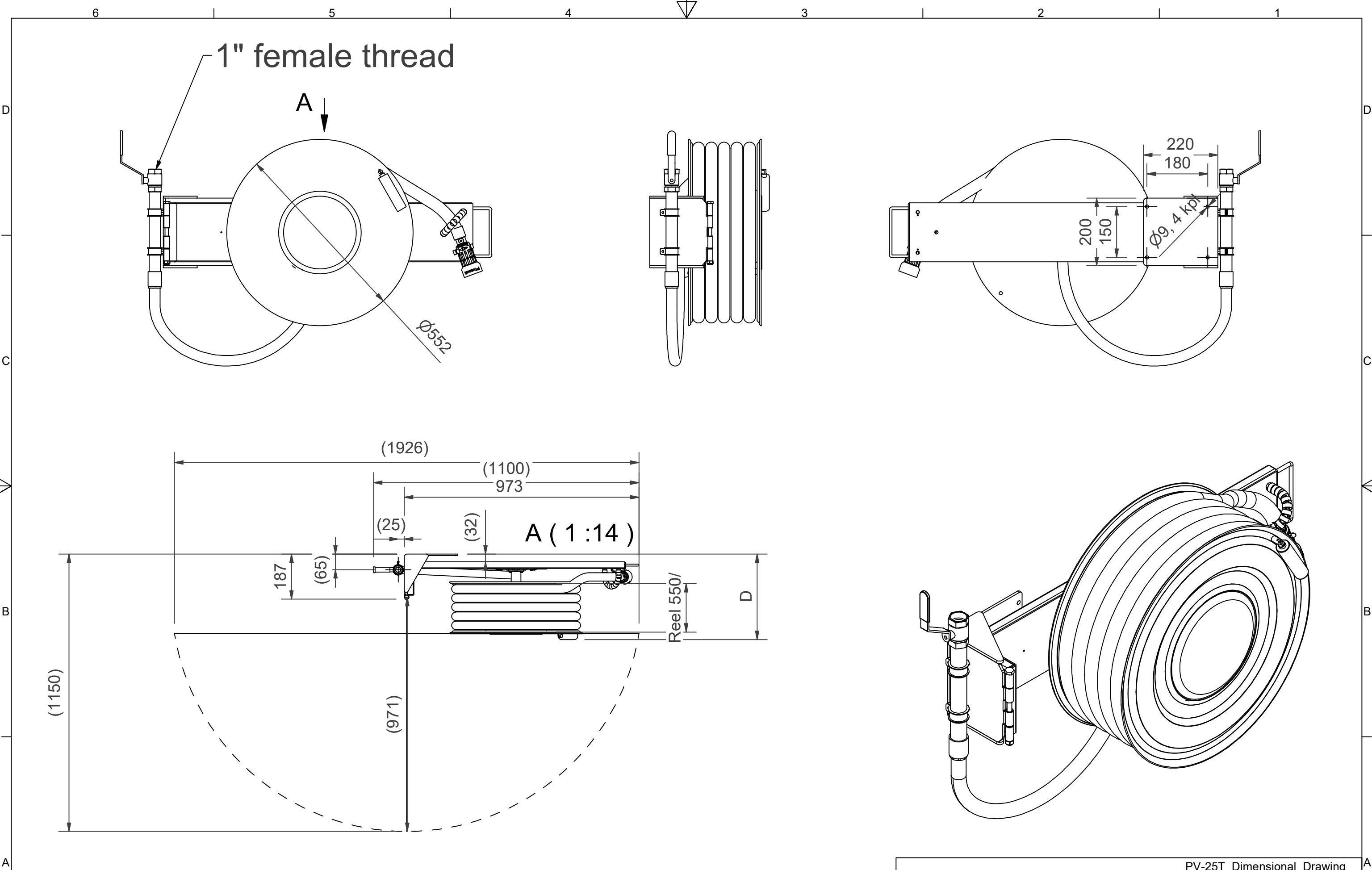
PV-25T Reel 550/200 w/o hose assembly - Hose reel + swing arm



The easy-to-use industrial models are designed to withstand continued heavy use. PV-23T/TR and PV-25T/TR are equipped with a folding rewinding crank, hose guide and 1" shut-off valve. These models include a brass curve rising from the reel hub to the casing. PV-23T/ TR includes an additional connecting hose and a wall mounting bracket. The PV-25T/TR model includes an additional connecting hose and a hinged arm. PV-60 R includes a 1 shut-off valve and a rewinding crank with a 1 inner thread for a feed pipe.

Features

Finnish "Ivi-number"	2956390
----------------------	---------



Dimension	
Reel	D
Reel 550/150	(305) mm
Reel 550/200	(355) mm



Luottamuksellinen Confidential
 Property of PIVASET OY, Leppävirta, Finland.
 Not to be handed over to, copied or used by third party.
 Two- or three dimensional reproduction of contents
 to be authorized by PIVASET OY.

30.12.2024

PV-25T_Dimensional_Drawing