

PV-Replacement reel 650/100 25mm/25m -



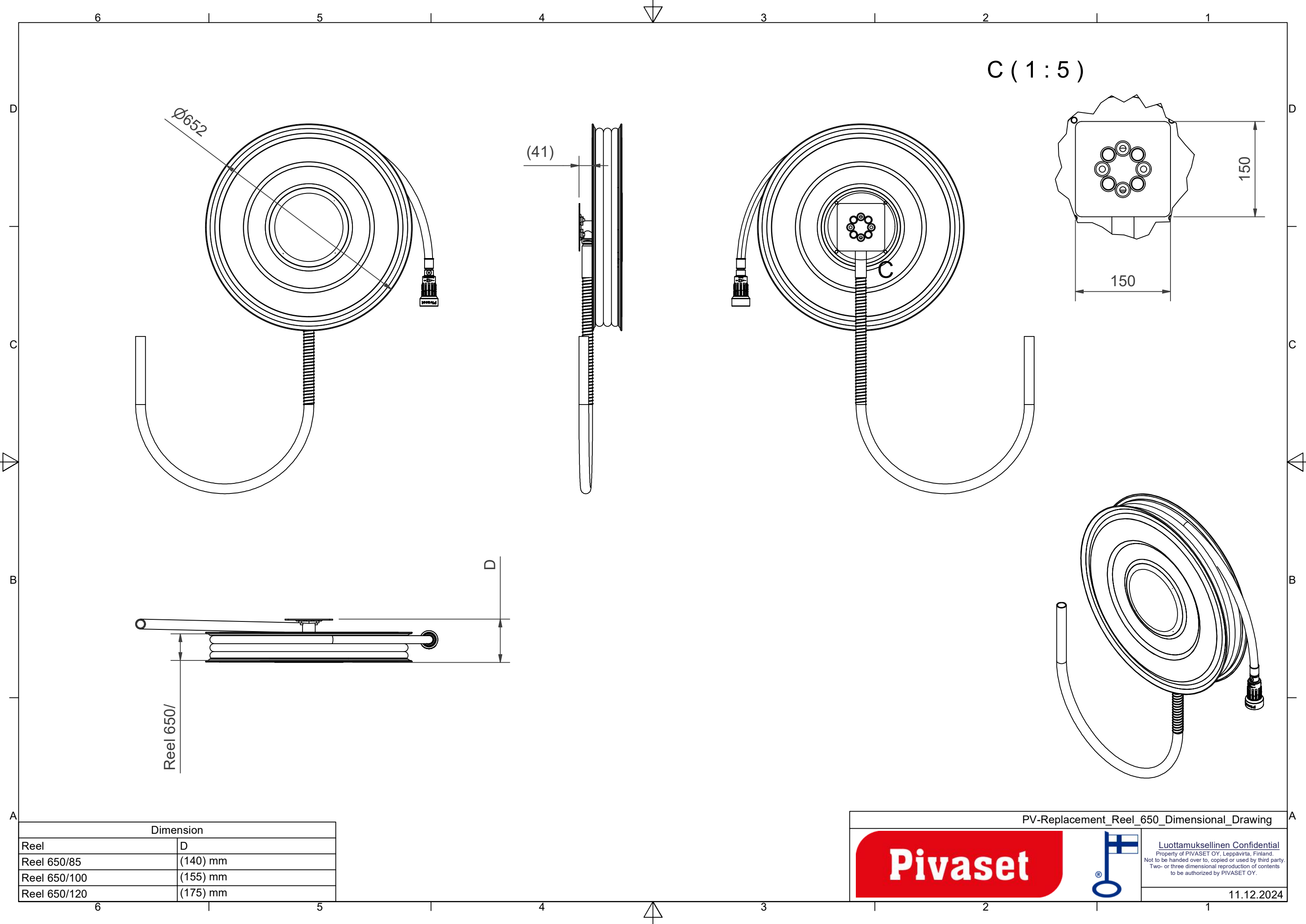
PV-Replacement reel 650/100 25mm/25m -



Replacement reel for fire hydrant cabinets. Includes a fire hydrant hose and a direct/fog nozzle as well as a 1 connecting hose for water supply. Reels are also available in diameter of 390 mm. The replacement reels have a 150x150mm centre bracket as standard. Also available with a 140x140mm bracket.

Features

Finnish "lvi-number"	2955160
EN 671-1 / 2012 approved	YES
Hose type	Light hose
Length of the hose	25
Hose inner diameter	25mm (1")



C (1:5)

Ø652

(41)

150

150

Reel 650/

Dimension	
Reel	D
Reel 650/85	(140) mm
Reel 650/100	(155) mm
Reel 650/120	(175) mm

PV-Replacement_Reel_650_Dimensional_Drawing



Luottamuksellinen Confidential
 Property of PIVASET OY, Leppävirta, Finland.
 Not to be handed over to, copied or used by third party.
 Two- or three dimensional reproduction of contents
 to be authorized by PIVASET OY.

11.12.2024