

PV-Replacement reel 550/150 19mm/25m -



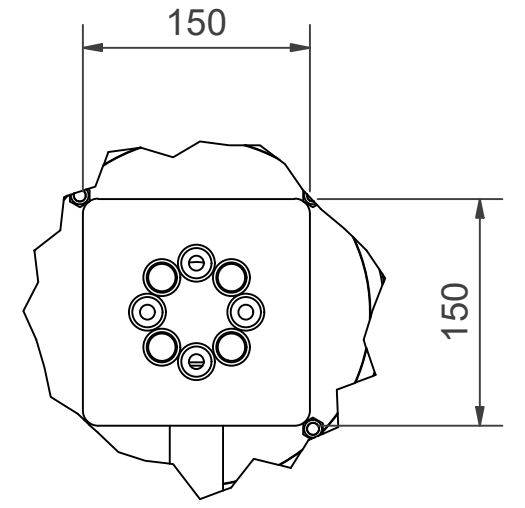
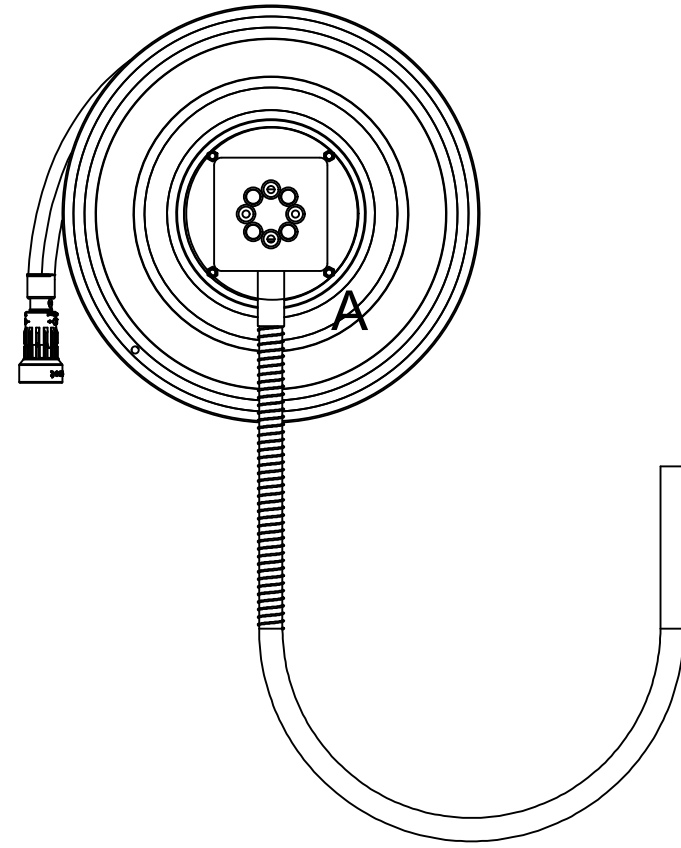
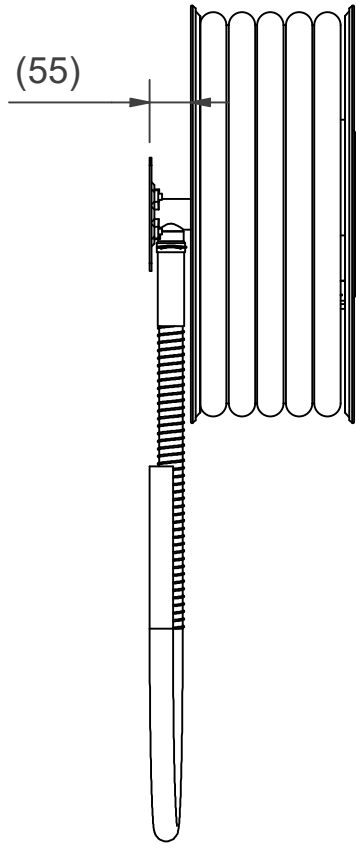
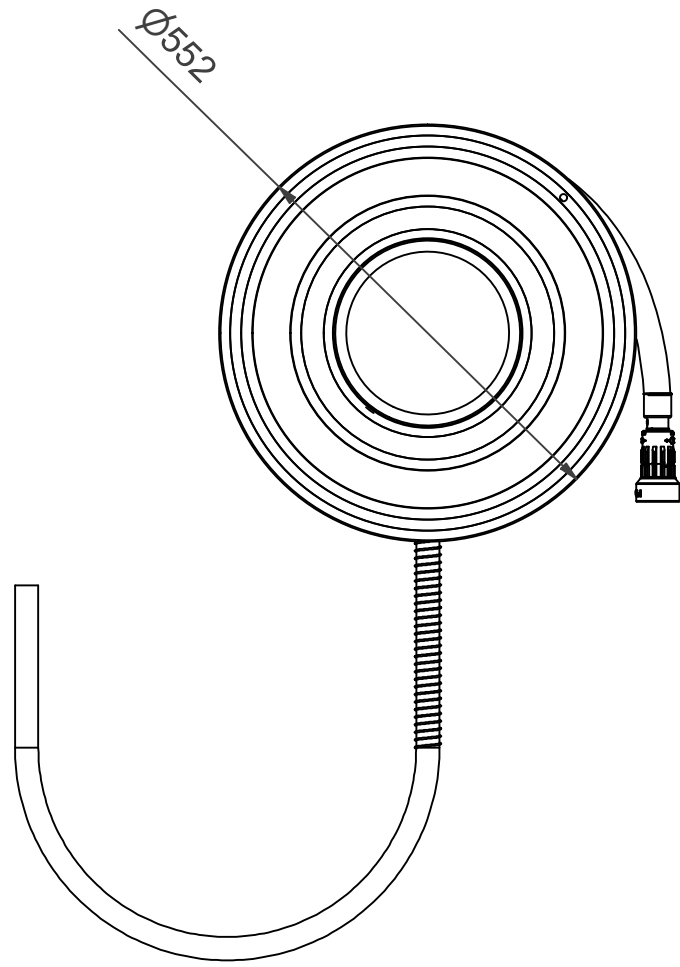
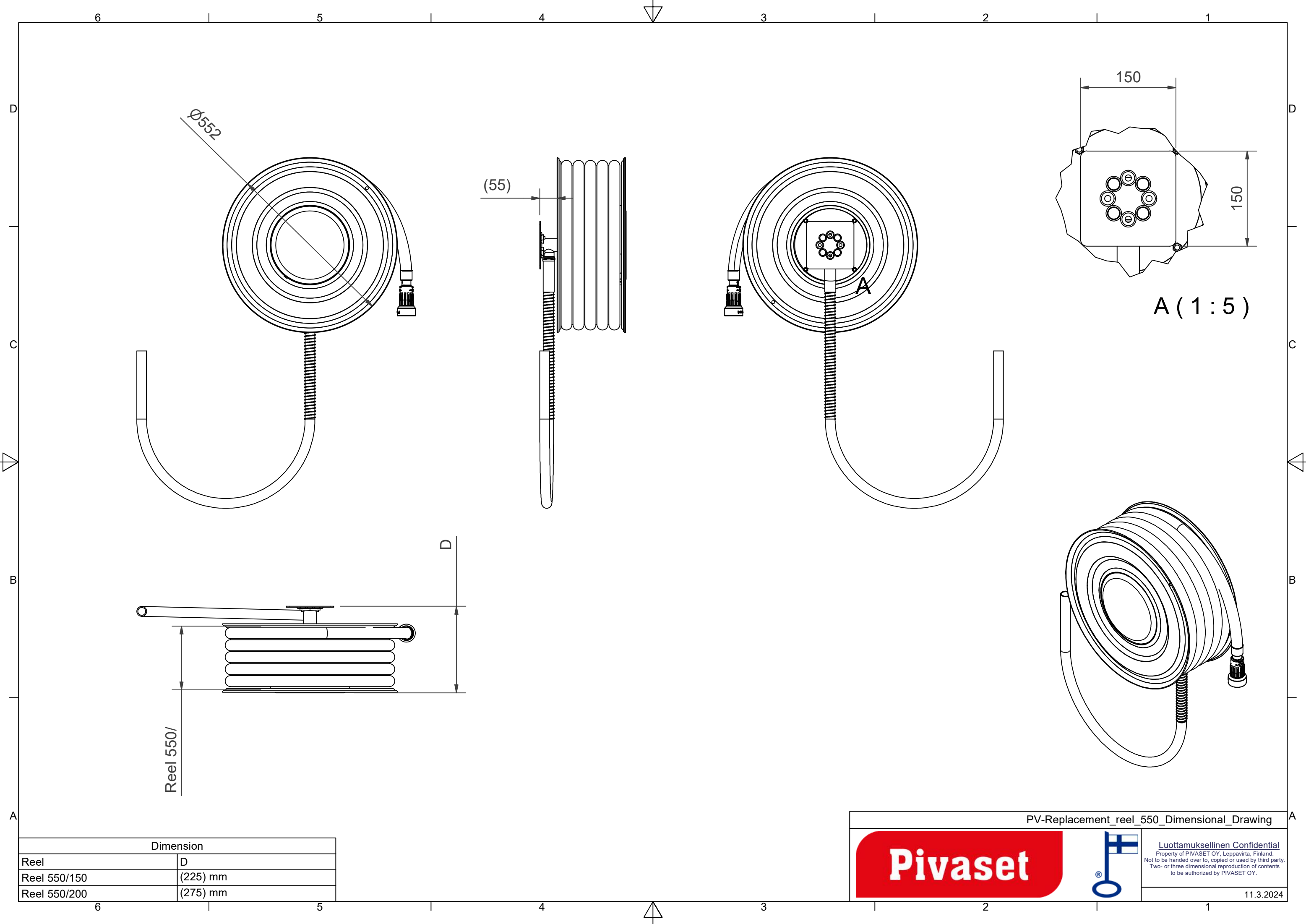
PV-Replacement reel 550/150 19mm/25m -



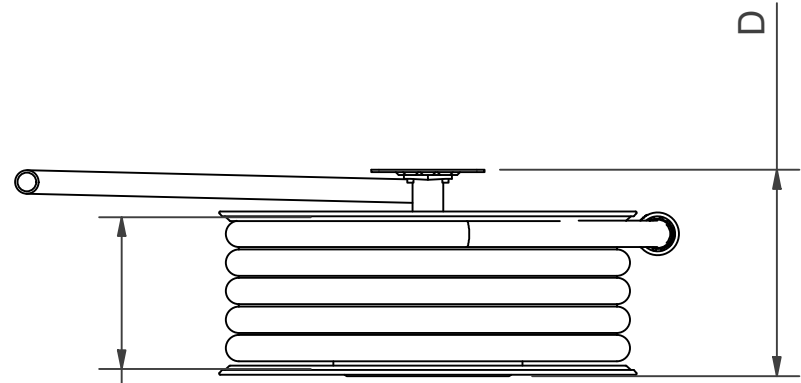
Replacement reel for fire hydrant cabinets. Includes a fire hydrant hose and a direct/fog nozzle as well as a 1 connecting hose for water supply. Reels are also available in diameter of 390 mm. The replacement reels have a 150x150mm centre bracket as standard. Also available with a 140x140mm bracket.

Features

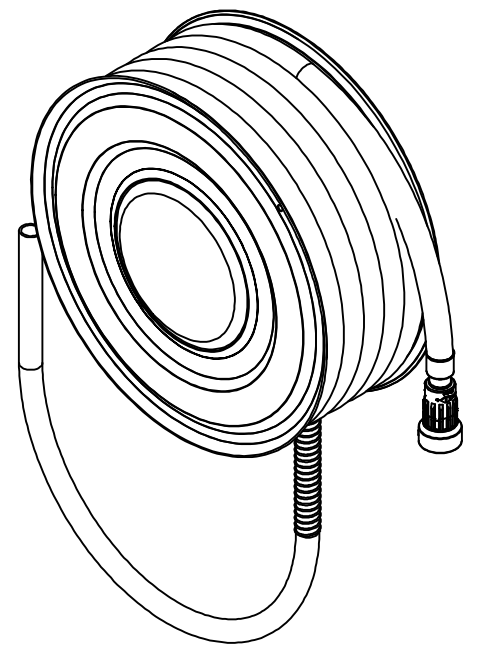
Finnish "lvi-number"	2959809
EN 671-1 / 2012 approved	YES
Hose type	Light hose
Length of the hose	25
Hose inner diameter	19mm (3/4")



A (1:5)



Reel 550/



Dimension	
Reel	D
Reel 550/150	(225) mm
Reel 550/200	(275) mm

PV-Replacement_reel_550_Dimensional_Drawing



Luottamuksellinen Confidential
 Property of PIVASET OY, Leppävirta, Finland.
 Not to be handed over to, copied or used by third party.
 Two- or three dimensional reproduction of contents
 to be authorized by PIVASET OY.

11.3.2024