

## PV-Replacement reel 550/200 25mm/30m \* -

---



**PV-Replacement reel 550/200 25mm/30m \* -**

---

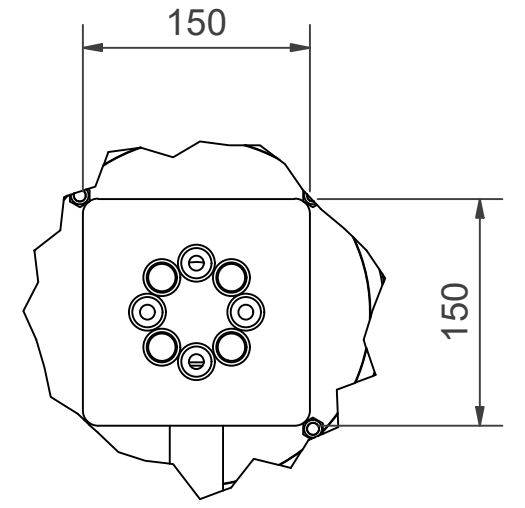
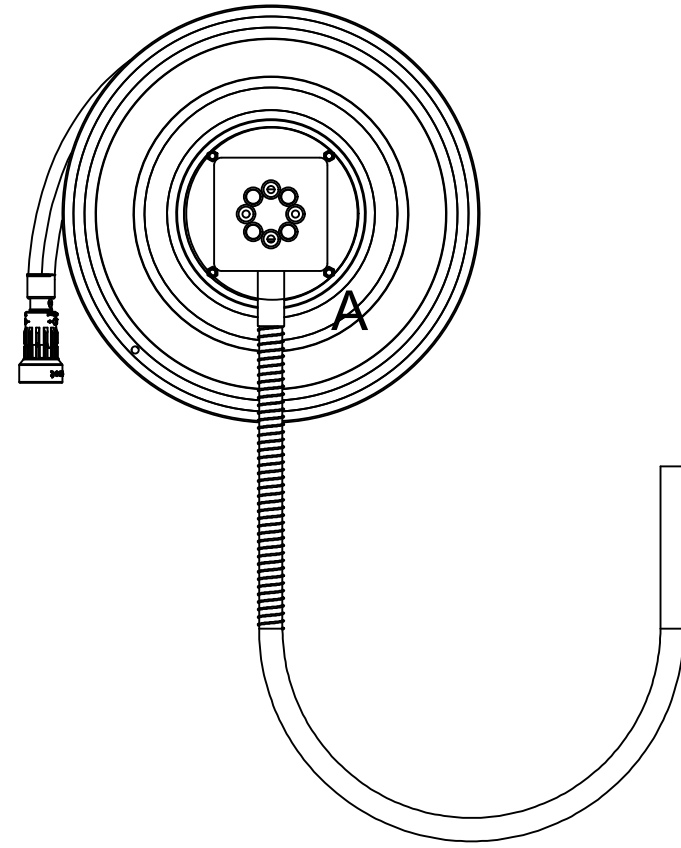
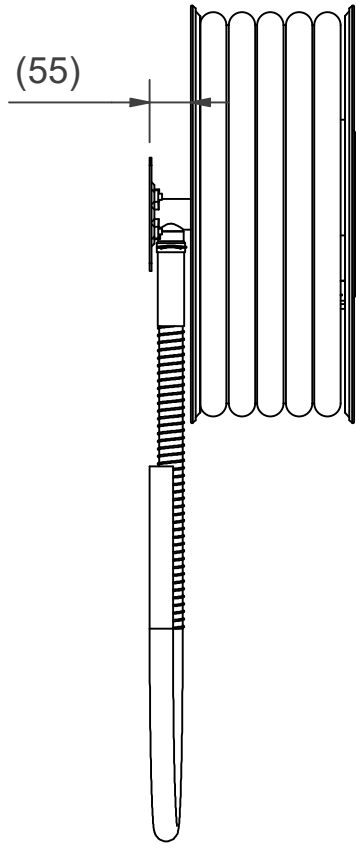
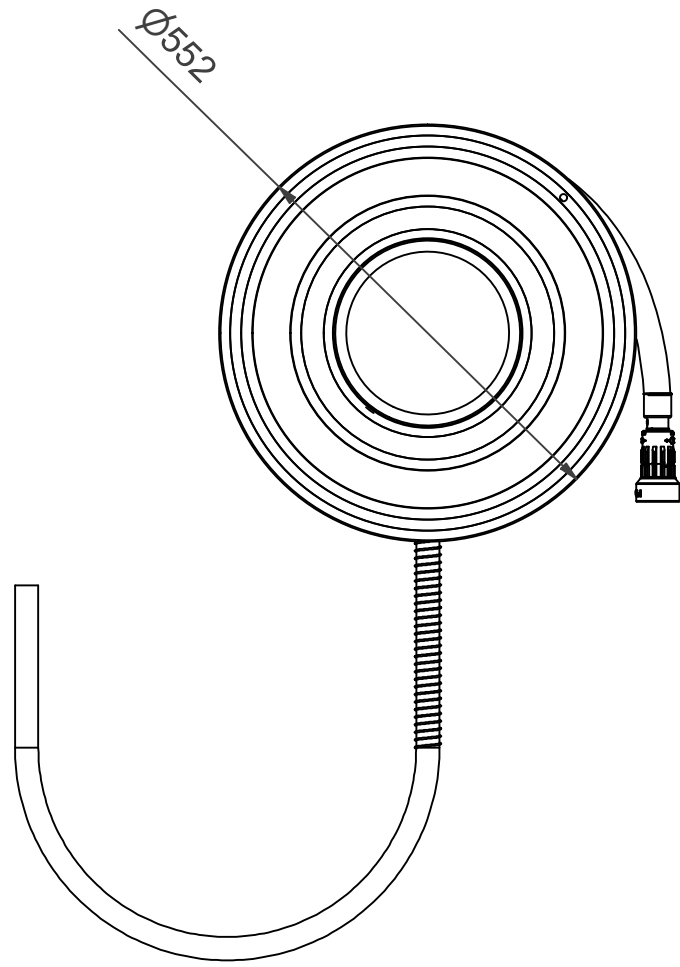
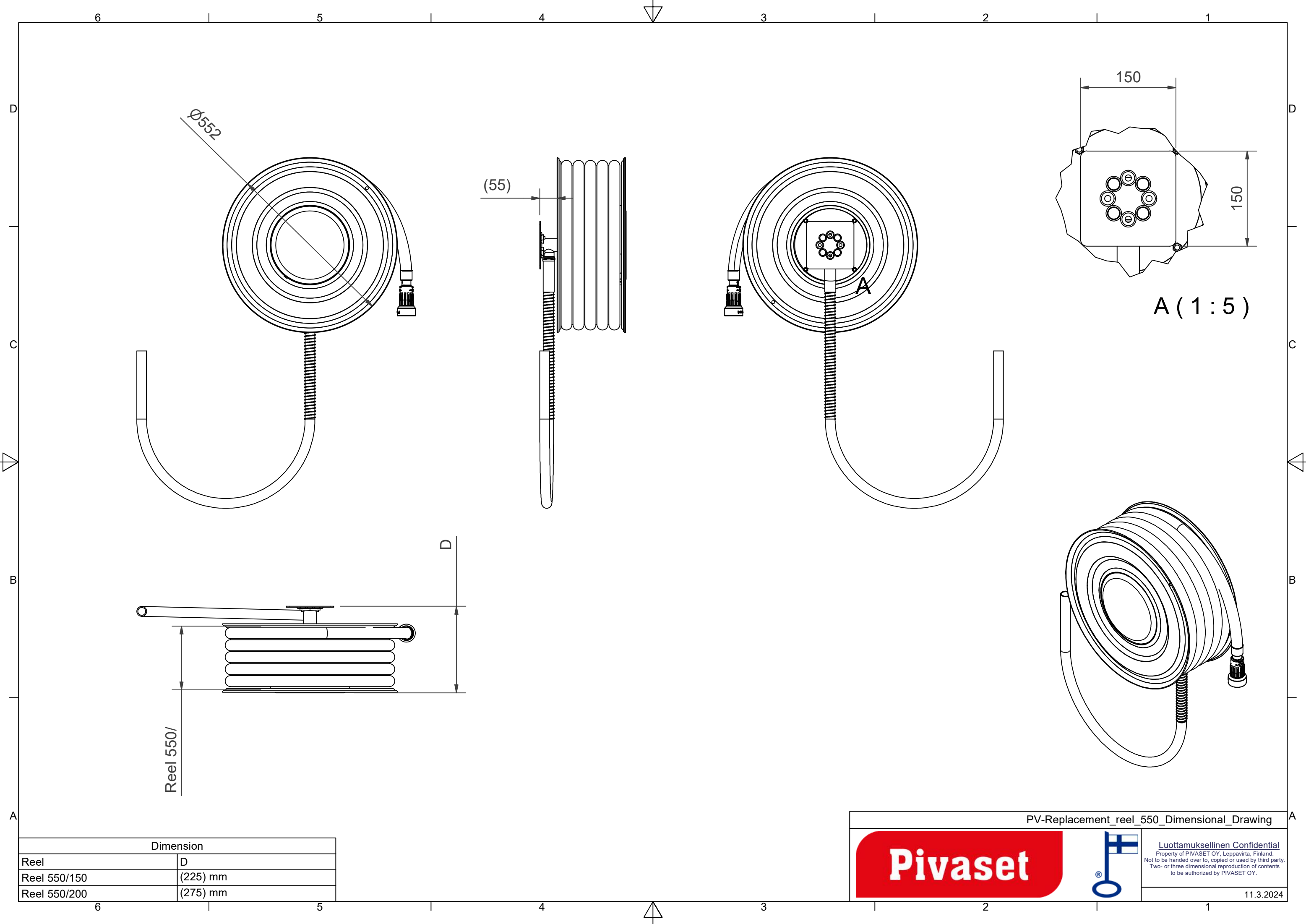


Replacement reel for fire hydrant cabinets. Includes a fire hydrant hose and a direct/fog nozzle as well as a 1 connecting hose for water supply. Reels are also available in diameter of 390 mm. The replacement reels have a 150x150mm centre bracket as standard. Also available with a 140x140mm bracket.

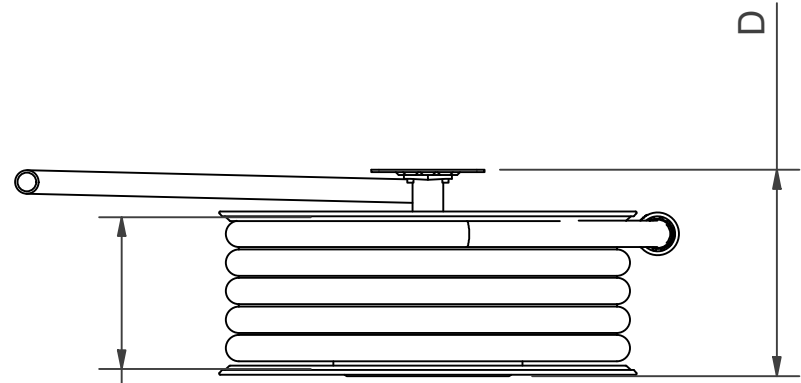
**Features**

---

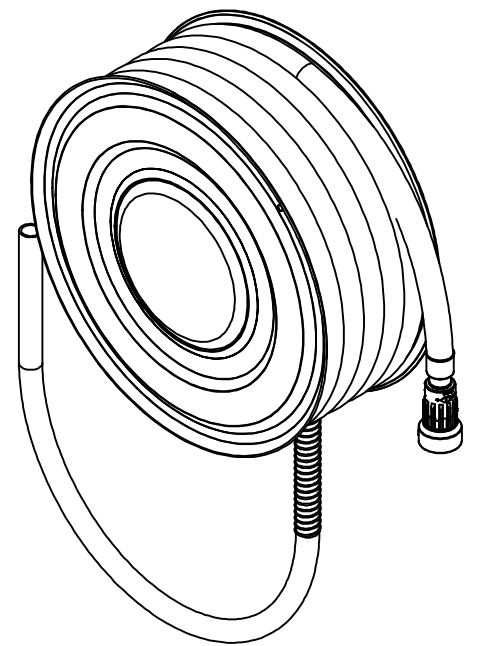
Finnish "lvi-number"	2959813
EN 671-1 / 2012 approved	YES
Hose type	Light hose
Length of the hose	30
Hose inner diameter	25mm (1")



A (1:5)



Reel 550/



Dimension	
Reel	D
Reel 550/150	(225) mm
Reel 550/200	(275) mm

PV-Replacement\_reel\_550\_Dimensional\_Drawing



Luottamuksellinen Confidential  
 Property of PIVASET OY, Leppävirta, Finland.  
 Not to be handed over to, copied or used by third party.  
 Two- or three dimensional reproduction of contents  
 to be authorized by PIVASET OY.

11.3.2024