

PV-5/6 Fire extinguisher cabinet, white * -



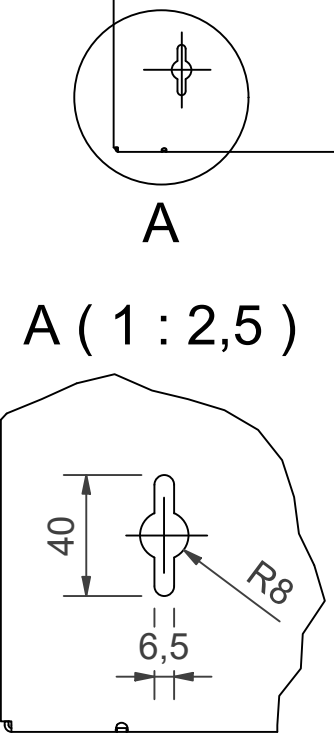
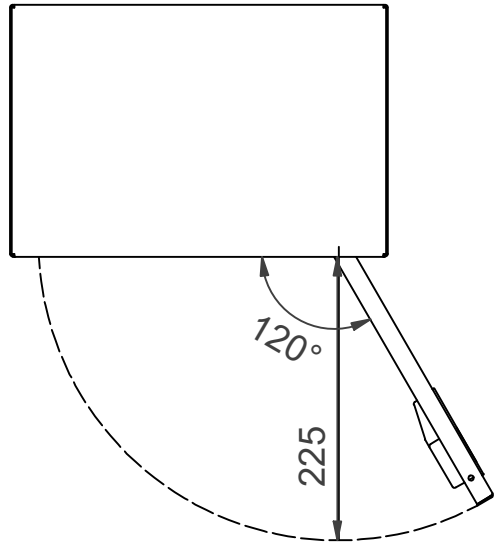
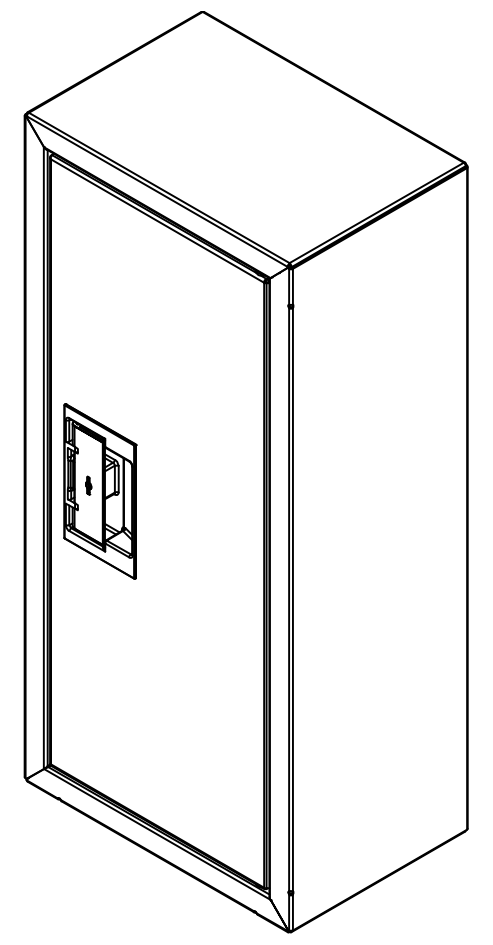
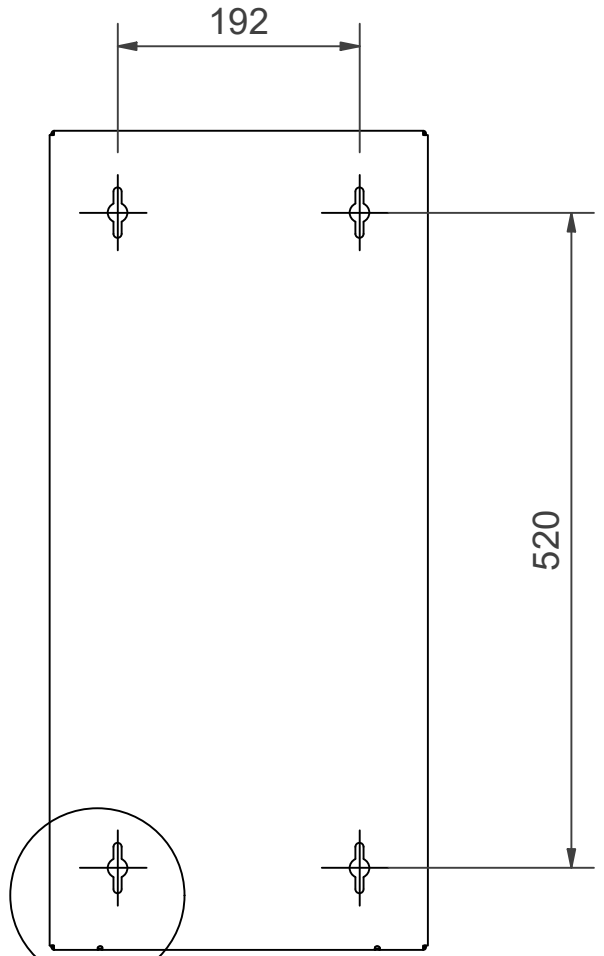
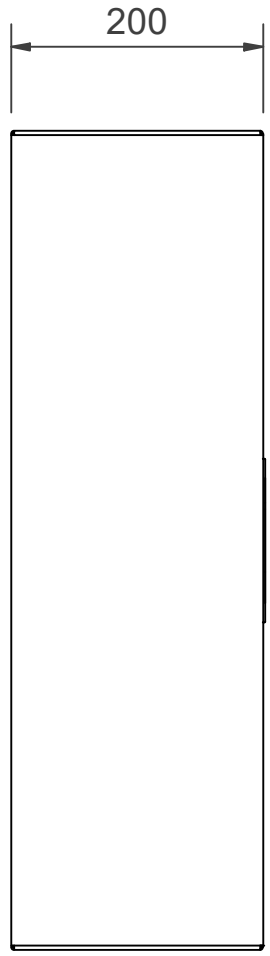
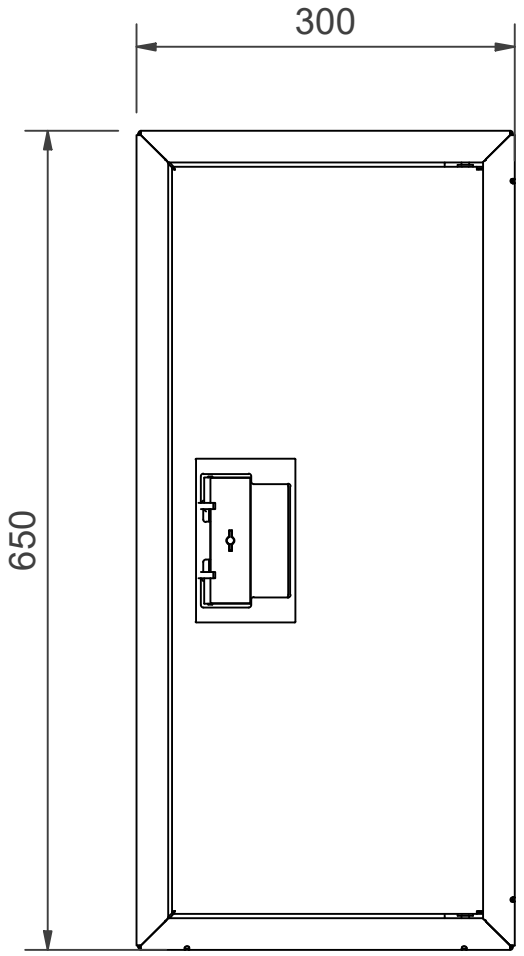
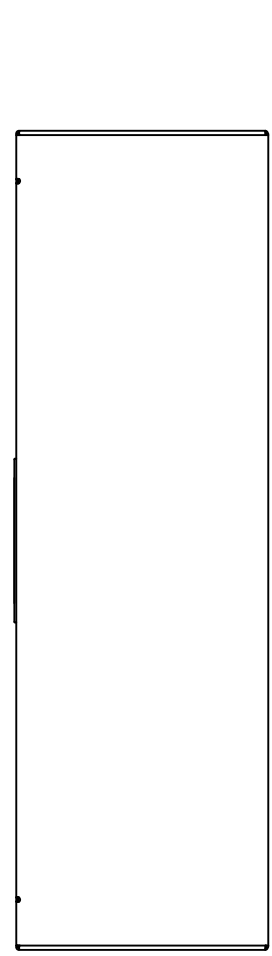
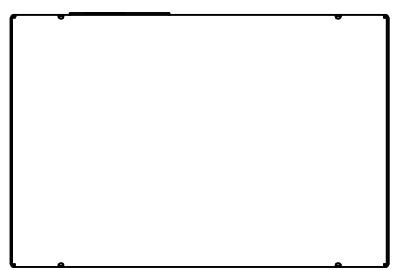
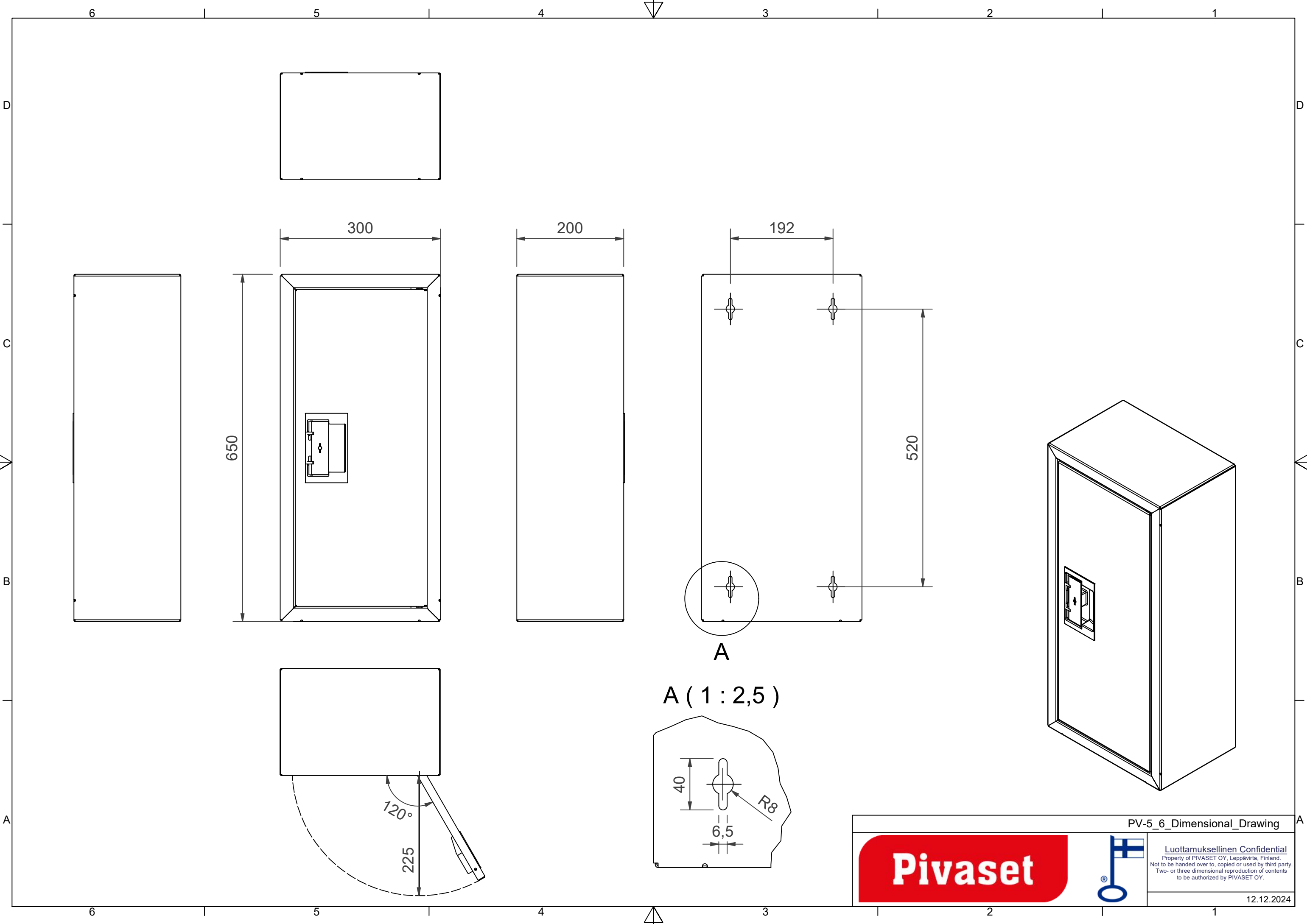
PV-5/6 Fire extinguisher cabinet, white * -



Fire extinguisher cabinets are made of 1.25 mm steel sheeting. The basic models are epoxy powder-coated in red, white or grey. The door is equipped with a special lock with a breakable lock protector. The stainless steel model has a metal lock. Fire extinguisher cabinets come in three sizes: for 6 kg and 12 kg powder fire extinguishers and for carbon dioxide fire extinguishers. Alternatively, there is a model with an inspection window. Fire extinguisher cabinets can also be installed outdoors to protect the extinguisher from the weather. If necessary, a flush-mounting frame is available for the cabinet.

Features

Finnish "lvi-number"	2969826
EN 671-1 / 2012 approved	NO
Color	White (RAL 9016))
Height (mm)	650
Width (mm)	300
Depth (mm)	200



A (1 : 2,5)



PV-5_6_Dimensional_Drawing

Luottamuksellinen Confidential
 Property of PIVASET OY, Leppävirta, Finland.
 Not to be handed over to, copied or used by third party.
 Two- or three dimensional reproduction of contents
 to be authorized by PIVASET OY.

12.12.2024