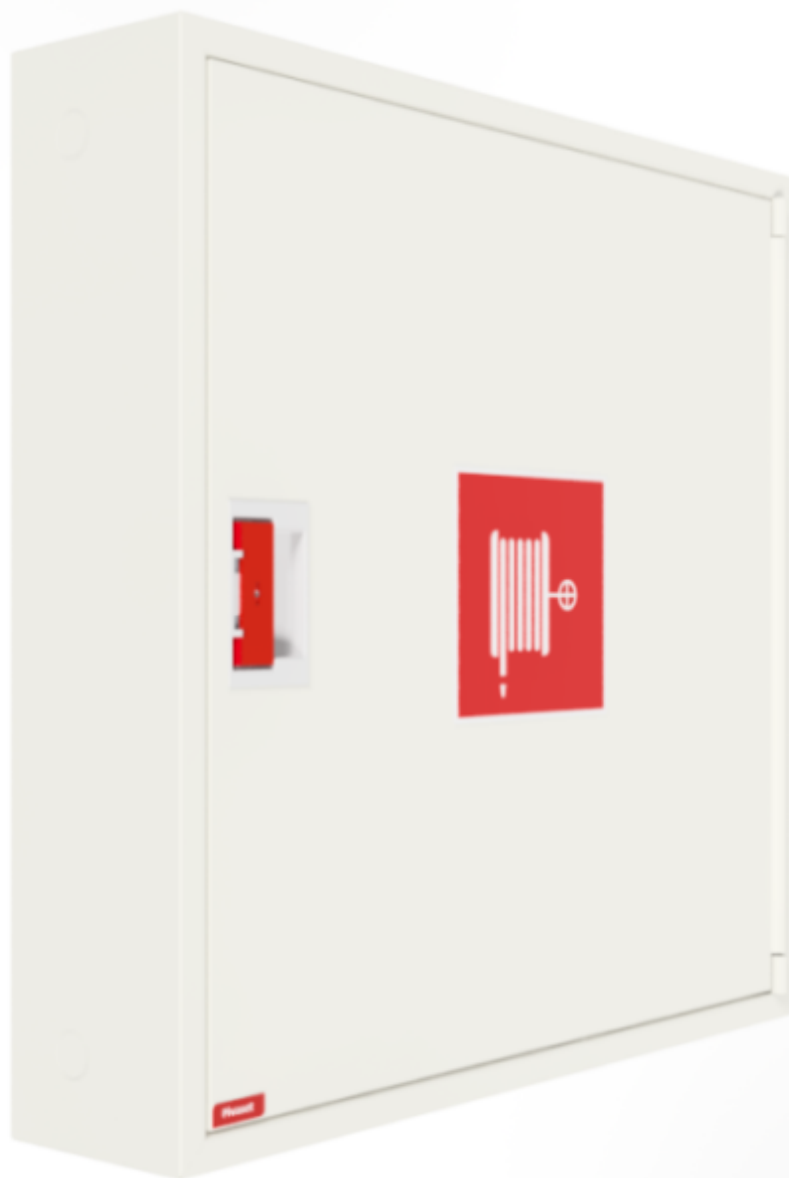


PV-182 25mm/30m valk. * - Pikapalopostikaappi



PV-182 25mm/30m valk. * - Pikapalopostikaappi

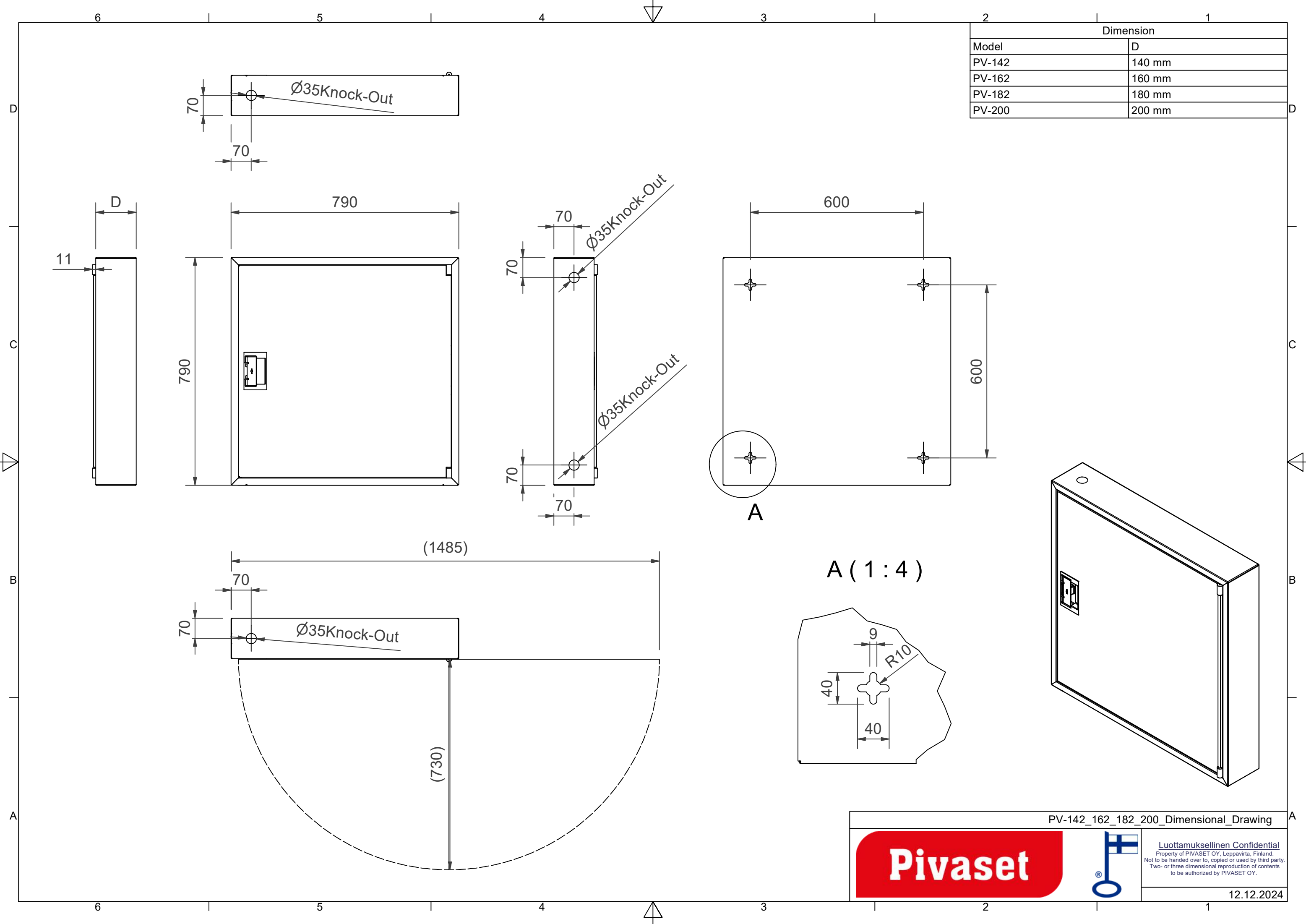


Kapea pikapaloposti soveltuu hyvin ahtaisiin paikkoihin, kuten esimerkiksi käytäville. Pintamallin kaappi voidaan kokonaan tai osittain upottaa haluttuun syvyyteen käyttämällä erillistä upotuskehystä. Our fire hydrants are produced in Finland in accordance with standard EN 671-1:2012. Pivaset's basic model fire hydrant cabinets and hose reels, up to 30 meters, are CE-marked. These cabinets and reels are made of epoxy powder-coated steel sheeting, 1.25 mm thick for the fire hydrant cabinets and 1 mm thick for the hose reels. The reels are consistently painted red. Cabinets are available in three standard colors: white, grey, and red, with other colors available by special order. All cabinets feature a welded structural back wall and reinforced doors with adjustable steel hinges. The door is equipped with a special lock including a breakable lock protector. Doors open 180 degrees to allow free functioning of a hose reel installed on the door. The reel hubs are specially brass-molded and tested. Fire hydrant hoses comply with standard EN 694 and feature lightweight polyester weave reinforcement. The lightweight hoses operate at 1.2 MPa with a burst pressure of 9 MPa (+20C). Alternatively, fire hydrant cabinets can be equipped with a nitrile/PVC hose operating at 1.2 MPa with a burst pressure of 4 MPa (+20C). (Please refer to the product stats to confirm the assembled hose). While lightweight, the hose is not recommended for continuous use in cleaning heavily worn floor surfaces. A hose/nozzle holder prevents the hose from getting caught between the door. All cabinet models come with a spring-reinforced feed hose and include a direct/fog nozzle and 1 shut-off valve for fire hydrant cabinets

Ominaisuudet

LVI-numero	2953677
EN 671-1 / 2012 hyväksytty	kyllä
Letkun tyyppi	kevytletku
Väri	Valkoinen (RAL 9016)
Letkun pituus (m)	30
Letkun halkaisija	25mm (1")
Korkeus (mm)	790
Leveys (mm)	790
Syvyys (mm)	180

Dimension	
Model	D
PV-142	140 mm
PV-162	160 mm
PV-182	180 mm
PV-200	200 mm



Luottamuksellinen Confidential
 Property of PIVASET OY, Leppävirta, Finland.
 Not to be handed over to, copied or used by third party.
 Two- or three dimensional reproduction of contents
 to be authorized by PIVASET OY.

12.12.2024

PV-142_162_182_200_Dimensional_Drawing