

**PV-7 IV Mini Suihkuputkikaappi, pun. - Pilariposti**

---



## PV-7 IV Mini Suihkuputkikaappi, pun. - Pilariposti

---

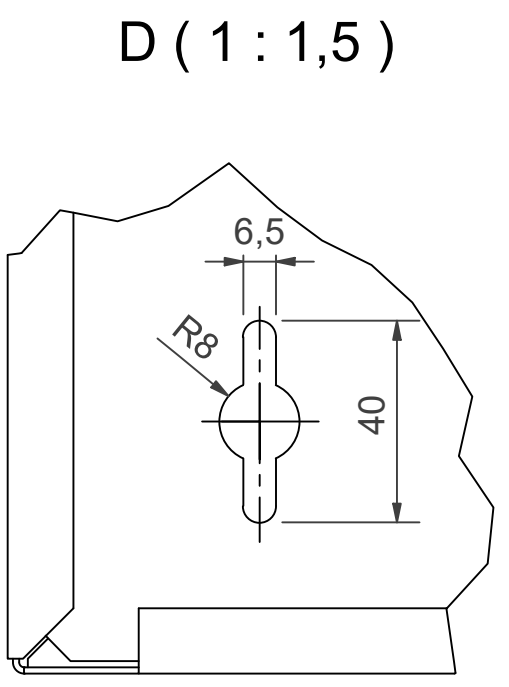
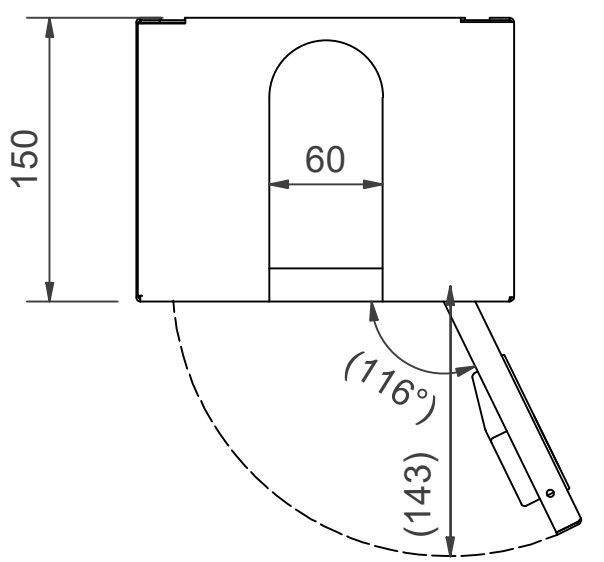
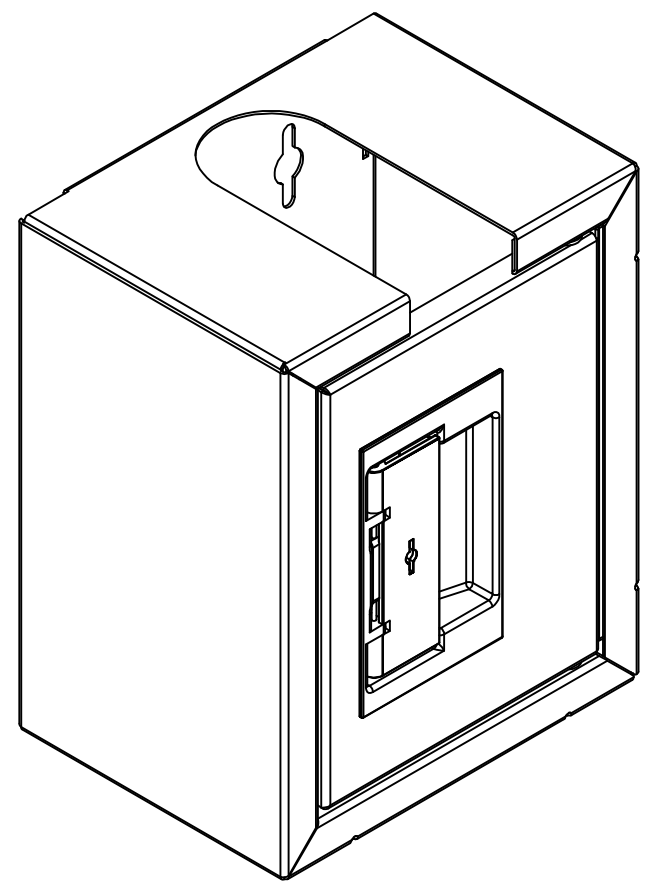
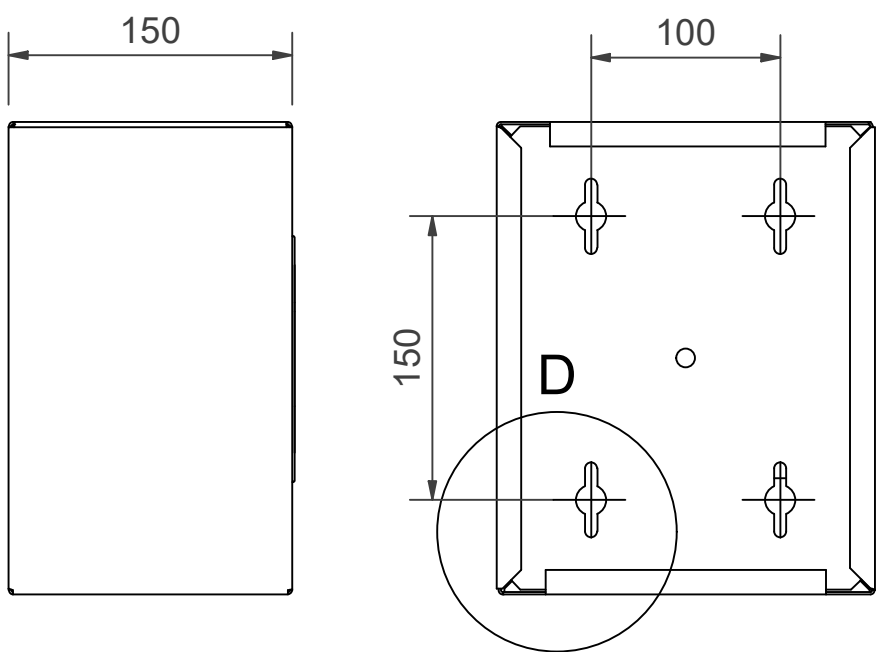
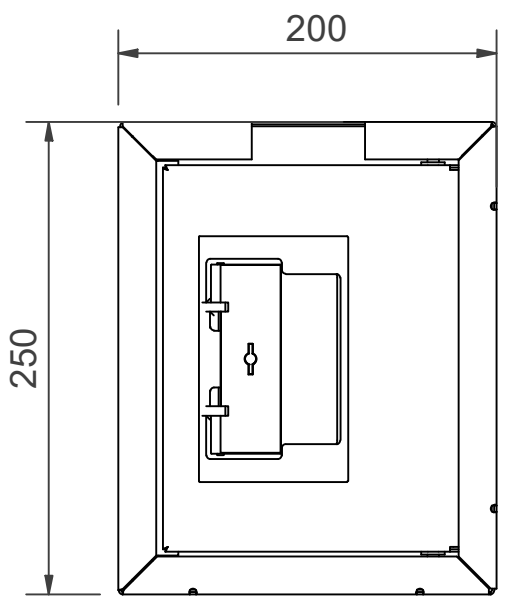
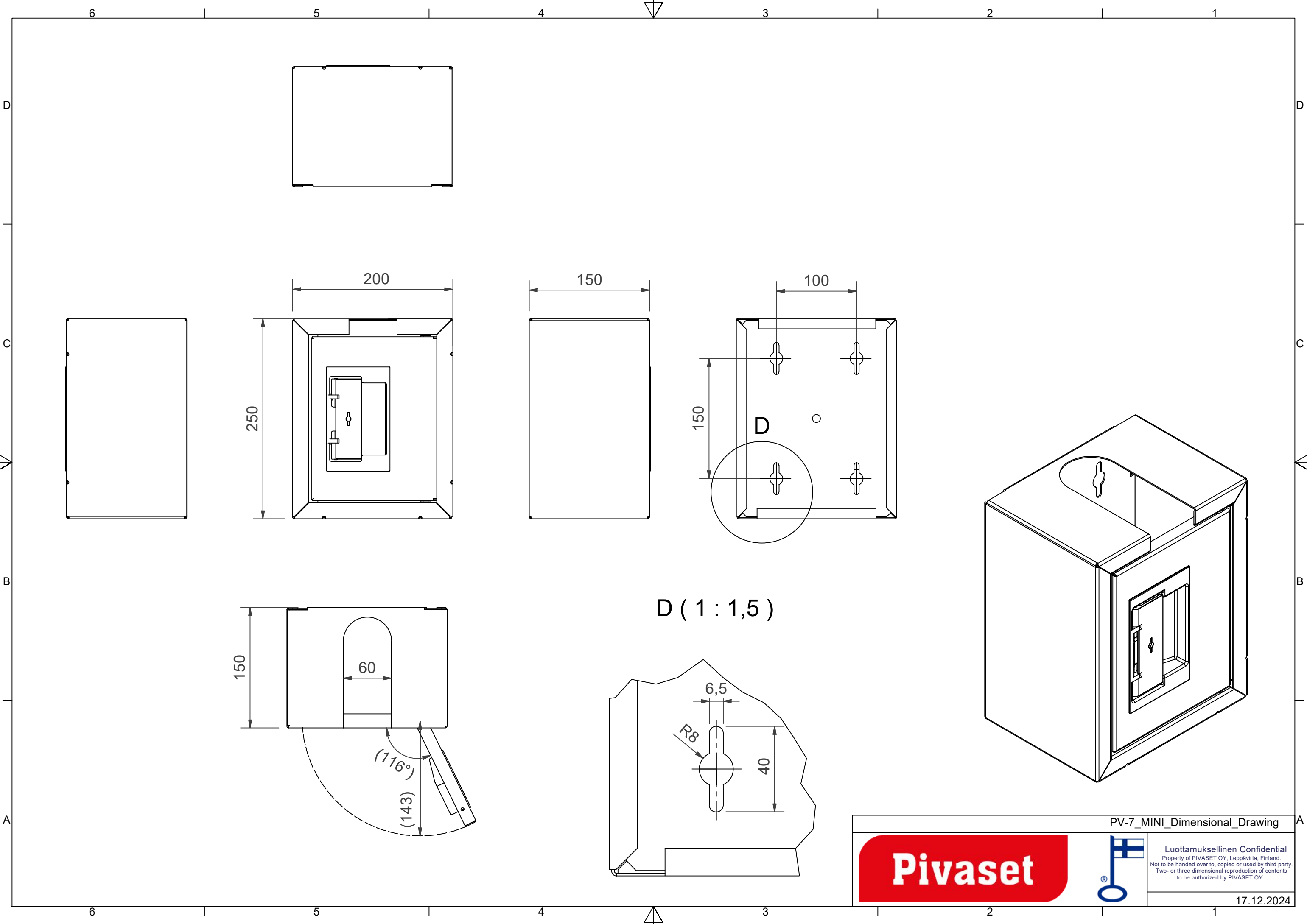


The door of the pillar fire hydrant is equipped with a special lock with a breakable lock protector. The cabinet (SV) with manual valve includes 2 hose guides, U-piping (Cu 28) and 1 shut-off valve. The empty cabinet (IV) only contains 1 hose guide. All pillar fire hydrants can be paired with a hose reel. Cabinets with a shut-off valve can be paired with fire hydrant reel PV-23 or PV-60. Nozzle cabinet delivered without equipment can be paired with, for example, fire hydrant reel with automatic valve PV-23A. Model PV-57 has space for a fire extinguisher.

### Ominaisuudet

---

Väri	punainen (RAL 3020)
------	---------------------



D (1 : 1,5)

PV-7_MINI_Dimensional_Drawing	
<p><b>Luottamuksellinen Confidential</b>          Property of PIVASET OY, Leppävirta, Finland.          Not to be handed over to, copied or used by third party.          Two- or three dimensional reproduction of contents          to be authorized by PIVASET OY.</p>	
17.12.2024	